

Vapour Gates

Liquip offers a vapour gate/interlock bar that is installed over the bottom loading adaptors, overfill system connection and vapour recovery adaptor in order to provide drive-away protection.

The bar provides drive-away protection by ensuring drivers raise/drop the bar prior to connecting/disconnecting hoses.

An integral air interlock valve applies the vehicles brakes and can also open the vapour recovery vents.

Features & Benefits

- The interlock bar is positioned over the bottom loading API adaptors, overfill system connection and vapour recovery adaptor.
- The bar must be lifted for hose connections to be made.
- The pivot incorporates a cam that actuates a pneumatic valve (AIV3).
- An integral air interlock valve applies the vehicle brakes and can be set up to also open the vapour recovery vents.
- Supplied in component form so the vehicle manufacturer can easily adapt to suit the number of compartments.
- Brackets are available in different length configurations to suit both upward and downward operating API adaptors.

Technical Information

Operation

- The pivot incorporates a cam that actuates a pneumatic valve (P/N - AIV3) . This signal is used to apply the vehicle brakes that prevent the vehicle moving when hoses are connected.
- The signal is also used for other purposes such as opening vents and preventing access to the overfill protection plug.

Supply

- Supplied as a kit without the aluminium tube. Tube is supplied and welded on site by purchaser to custom fit each tanker.
- Air valve AIV3 must also be ordered separately.

Materials

- Brackets in cast aluminium AA601.
- Bushes Polyurethane.
- Purchaser supply to 34mm ID alum tube x approximately 3mm wall thickness in weldable grade.

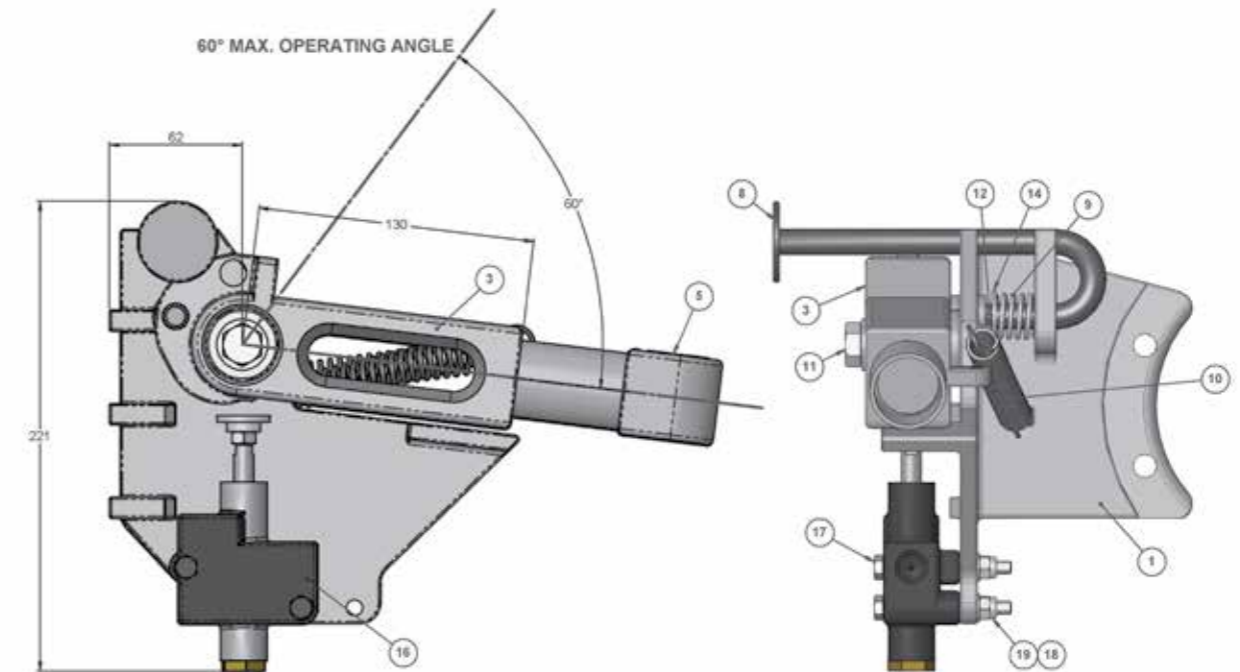
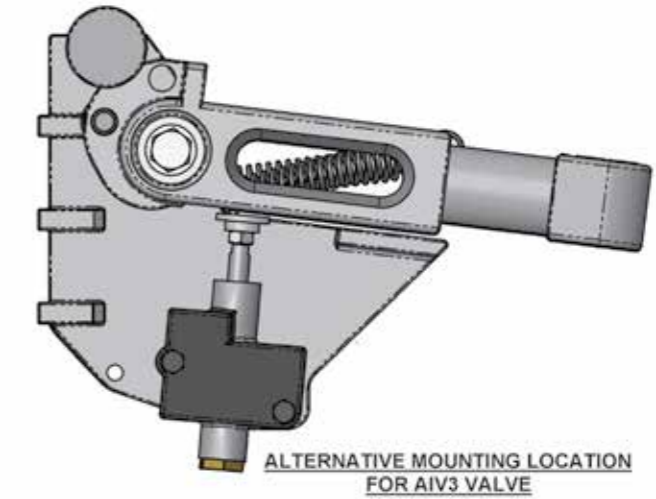
Ordering Information

- **GC300-1:** Left hand bracket - Standard Length.
- **GC300-2:** Right hand bracket - Standard Length.
- **GC300L-1:** Left hand bracket - Longer Length.
- **GC300L-2:** Right hand bracket - Longer Length.
- **GC300Z:** Vapour gate assembly c/w air interlock valve & components (Standard Length - LH/RH).
- **GC301:** Vapour gate assembly no air valve.

Note: Contact Liquip for further information.

Associated Equipment

- **AIV3:** Air Valve 3 Port with Push Button.
- **AVV07x:** Vapour Vent (Aluminium).
- **AVV3SST:** Vapour Vent (Stainless Steel).
- **MAC300 series:** Pneumatic tanker control box.
- **API49x series:** API loading adaptor (upward or downward operating).
- **SLV5-ARO series:** Internal foot valve.
- **TP10x series:** Liquip overfill truck plugs.



ITEM	PART NUMBER	DESCRIPTION	GC301	GC300Z	GC301L	GC301LZ	GC302	GC302Z	GC303	GC303Z	MATERIAL
1	GC300-1	MOUNTING BRACKET LH	1	1	-	-	-	-	1	1	ALUMINIUM
	GC300L-1	MOUNTING BRACKET LONG - LH	-	-	1	1	1	1	-	-	ALUMINIUM
2	GC300-2	MOUNTING BRACKET RH	1	1	-	-	1	1	-	-	ALUMINIUM
	GC300L-2	MOUNTING BRACKET LONG - RH	-	-	1	1	-	-	1	1	ALUMINIUM
3	GC300-3	OPERATING ARM LH	1	1	1	1	1	1	1	1	ALUMINIUM
4	GC300-4	OPERATING ARM RH	1	1	1	1	1	1	1	1	ALUMINIUM
5	G300-5	VAPOUR GATE ELBOW	2	2	2	2	2	2	2	2	CAST ALUMINIUM
6	GC300-6	BUSH FOR	4	4	4	4	4	4	4	4	POLYURETHANE (BLACK)
7	GC300-7	SPACER FOR	2	2	2	2	2	2	2	2	STEEL TUBE
8	GC300-8	LOCKING PIN	1	1	1	1	1	1	1	1	STAINLESS STEEL
9	4481	LOCKING LEVER SPRING	1	1	1	1	1	1	1	1	SPRING STEEL Z/P
10	4482	GATE TENSION SPRING	2	2	2	2	2	2	2	2	STAINLESS STEEL
11	4903	BOLT METRIC	2	2	2	2	2	2	2	2	Z/P STEEL
12	0897	SPRING (ROLL) PIN	1	1	1	1	1	1	1	1	Z/P STEEL
14	5266	WASHER FLAT	5	5	5	5	5	5	5	5	Z/P STEEL
15	6001	NUT NYLOC	2	2	2	2	2	2	2	2	Z/P STEEL
16	AIV3	AIR INTERLOCK VALVE	-	1	-	1	-	1	-	1	SEE TABLE
17	4901	BOLT METRIC	-	2	-	2	-	2	-	2	Z/P STEEL
18	5267	WASHER FLAT	-	2	-	2	-	2	-	2	Z/P STEEL
19	4399	NUT NYLOC	-	2	-	2	-	2	-	2	Z/P STEEL
20	EXT4030Q	ALUMINIUM TUBE Ø40 OD 3mm WALL	AS REQ'D FOR FABRICATION								ALUMINIUM
21	4772	INSTRUCTION & DATA	1								PAPER