



### Aluminium Air Operated Vapour Vents

AVV Series of aluminium sequential air operated vapour vents have a 90mm nominal diameter outlet and are sequentially air actuated to allow the venting of vapour from tanker truck compartments while loading or unloading.

The AVV series can be used in conjunction with an overfill protection interlock that prevents loading if the vapour recovery system has failed to fully activate.

#### Features & Benefits

- Aluminium construction with Viton™ seals as standard.
- The sequencing valve is offered to ensure the main poppet is fully open before next vent opens.
- Bolted from inside tank. Gauze in body prevents access through outlet spout in certain models (optional).
- The end signal can then be used to allow loading/unloading in the certainty that all vapour vent poppets are open.
- The sequencing valve can be blanked if not required.

#### Technical Information

##### Operating Pressure

Operating air pressure 120 kPa to 900 kPa. (Normal 500 kPa).

##### Air Consumption

1.0L free air per stroke.

##### Mounting

Directly on to manhole covers VOH410 and VOH750 or by weld flanges in aluminium or steel.

##### Materials

- Aluminium body.
- Acetal Piston with Viton™ seal, as standard.
- Teflon™ Piston with FFKM seals are available (AVV075K).

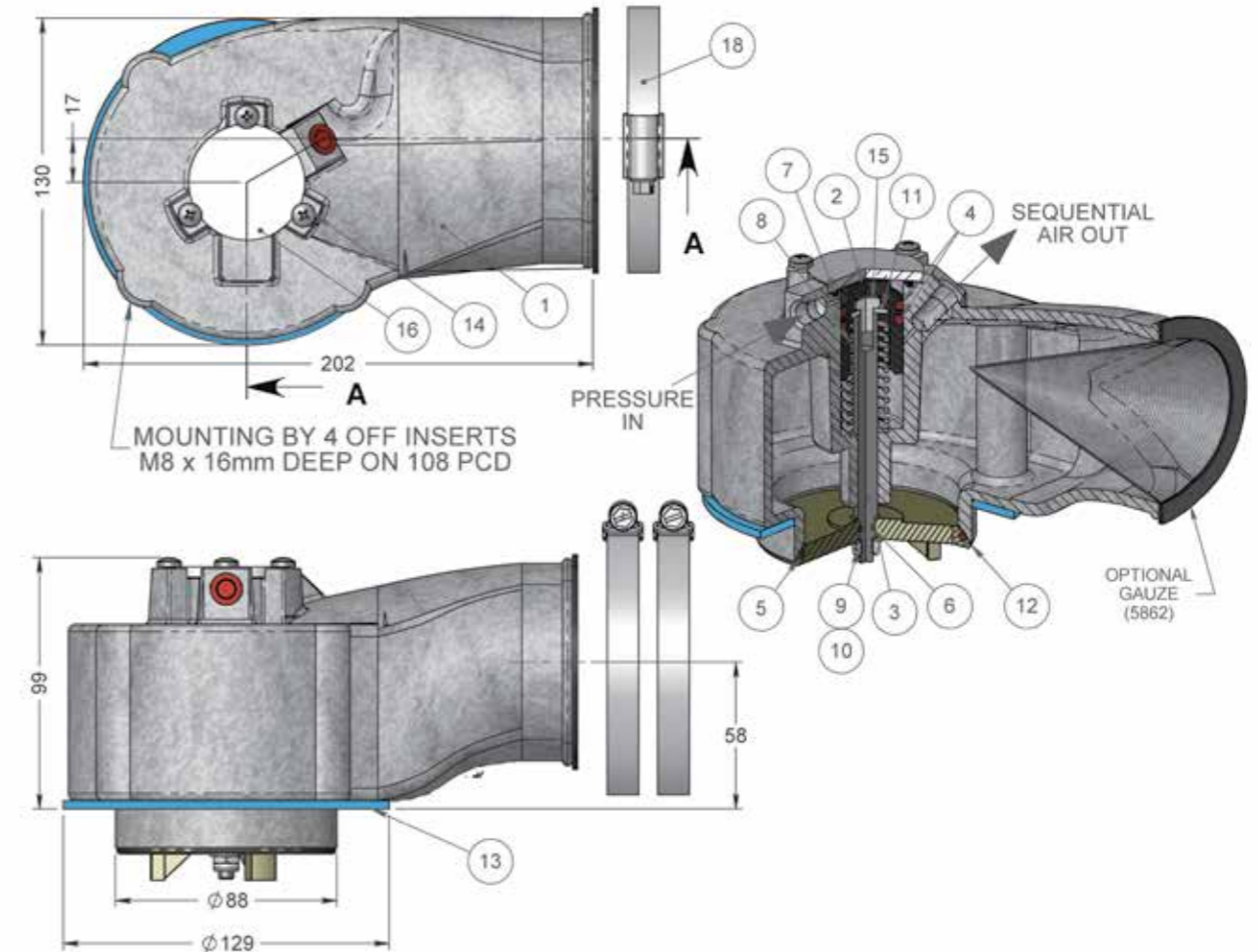
#### Ordering Information

- **AVV075V:** Sequential Vapour Vent with Viton™ O-rings.
- **AVV075K:** Chemical Version Sequential Vapour Vent with Kalrez O-rings.
- **AVV075VW:** Sequential Vapour Vent with through holes (Coaming mount).
- **AVVF075V:** Flange mounted sequential vapour recovery vent, mounts to VOH500 series only or separate weld in flanges.

#### Associated Equipment

- **VRB3.5-1:** Aluminium Weld stub to allow venting into coaming.
- **AVV3-12:** Polyurethane louvre for weather & anti-spark protection.
- The poppet opens inwards to prevent leakage and spills from product surge in the event of a tanker rollover.

## AVV075V VAPOUR VENT



ITEM NO.	PART NUMBER	DESCRIPTION	AVV075V	MATERIAL
1	AVV075V-1	BODY FOR LOW PROFILE	1	ALUMINIUM
2	AVV075V-3	PISTON	1	ACETAL
3	AVV075V-6	SHAFT - LOW PROFILE	1	ST STEEL
4	4574	O-RING	2	VITON A
5	4507	O-RING	1	VITON A
6	6088	O-RING	1	VITON A
7	6089	O-RING	1	NITRILE
8	6141	SPRING COMPRESSION	1	ST STEEL
9	4400	NUT HALF NYLOC	1	Z/P STEEL
10	5267	WASHER FLAT	1	Z/P STEEL
11	5329	WASHER FLAT	1	Z/P STEEL
12	AVV075V-4	POPPET	1	ALUMINIUM
13	3096	GASKET	1	NBR CORK
14	6501	SCREW METRIC	3	ST STEEL
15	6523	SETSCREW METRIC	1	Z/P STEEL
16	AVV075V-5	LID FOR LOW PROFILE VAPOUR VENT	1	ALUMINIUM
17	7294	INSTRUCTION LEAFLET	1	PAPER
18	2308	CLAMP HOSE No.5	2	Z/P STEEL