



Product Indicators

Liquip offers product indicators to be used on tank trucks with multi-use compartments to allow users to easily identify compartment contents.

Features & Benefits

- Can be loaded to display up to 12 products.
- Standard product label is fitted with 12 most common products (other labels available on request).
- Quick and easy changeover between labels.
- Lightweight & durable design.
- Commonly mounted to the 4" TTMA API adaptors flange for easy viewing.
- Cost effective way to indicate what product is in each compartment.

Technical Information

Product Display Options

PI1200 supplied complete with label displaying the following products:

- Diesel.
- Ethanol.
- Kerosene.
- Unleaded.
- Avgas 100.
- Heating Oil.
- Jet A-1.
- Hi-Octane.
- Unleaded / Ethanol Blend.
- Pulp.
- E-85.
- Blank.

Mounting

2 off hole mounting on the back of the API valves.

Ordering Information

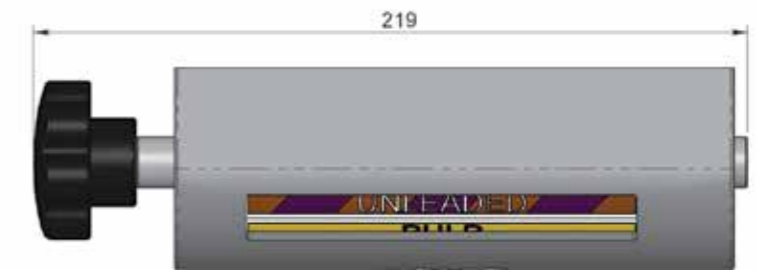
- **PI1200:** 12 position product indicator fitted with standard label.
- **PI1202:** 12 position product indicator without label.

For labels printed with custom labels, contact Liquip.

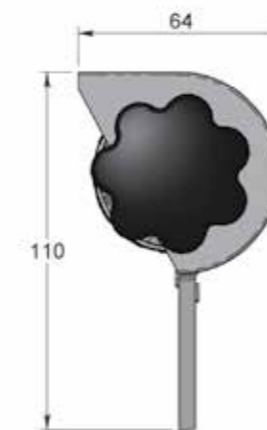
PRODUCT INDICATOR - PI1200



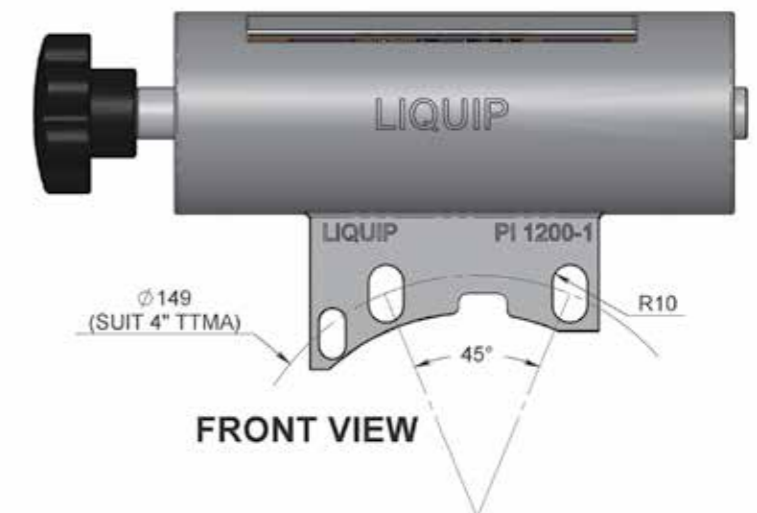
ISOMETRIC VIEW



TOP VIEW



SIDE VIEW



FRONT VIEW

2	59011	LABEL INDICATOR PRODUCT	1	-	POLYESTER
1	PI1202	PRODUCT INDICATOR PRESS FIT	1	1	ALUMINIUM
ITEM NO.	PART NUMBER	DESCRIPTION	PI1200	PI1202	MATERIAL