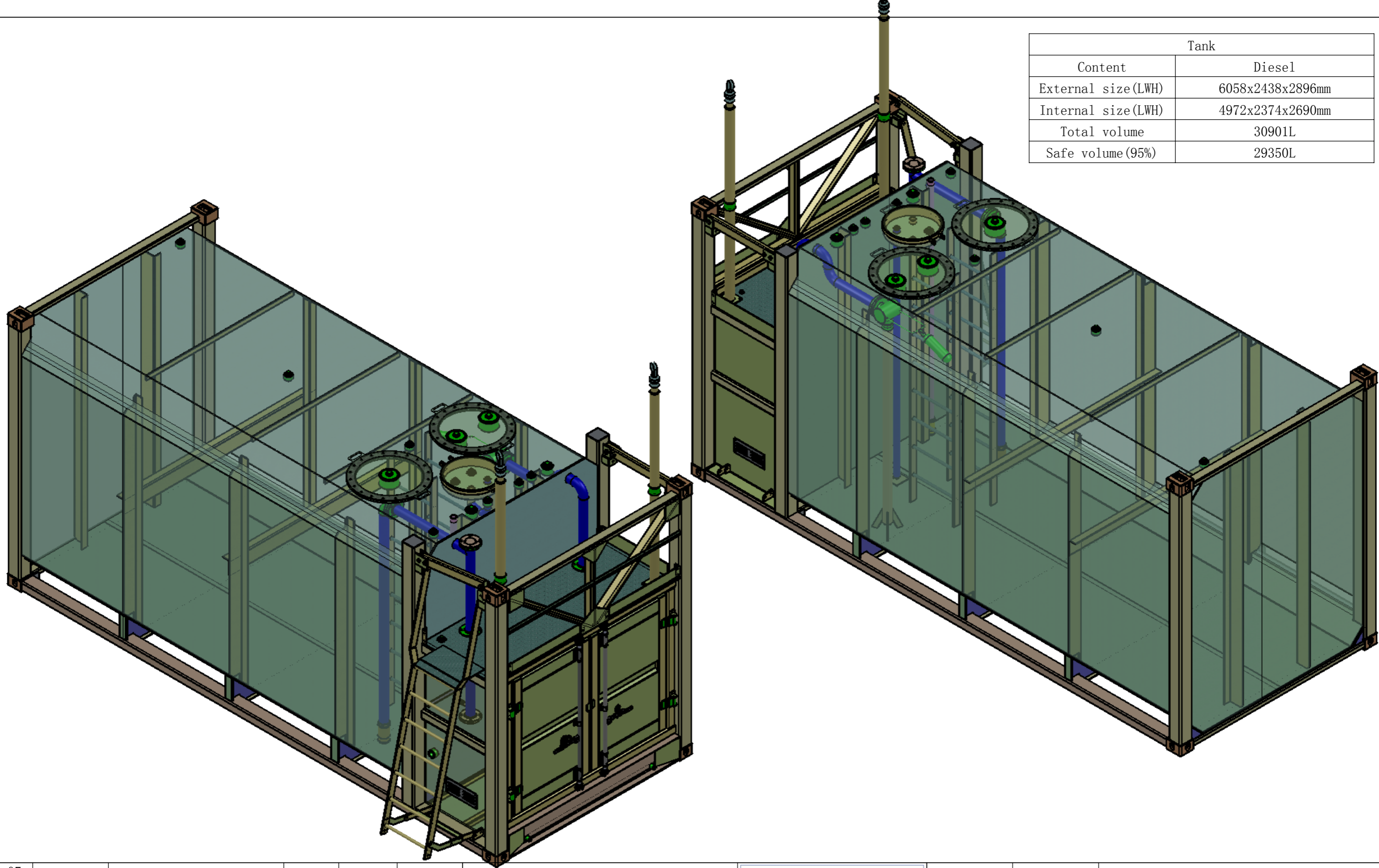
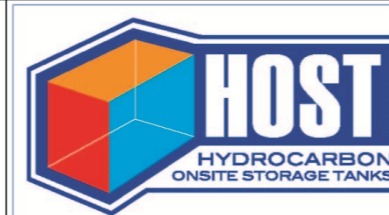


Tank	
Content	Diesel
External size (LWH)	6058x2438x2896mm
Internal size (LWH)	4972x2374x2690mm
Total volume	30901L
Safe volume (95%)	29350L

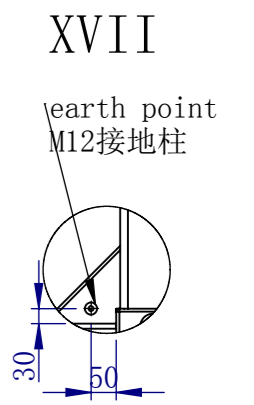
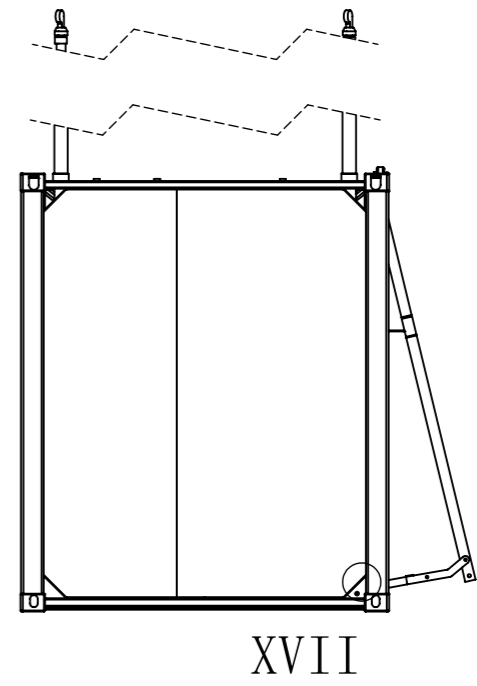
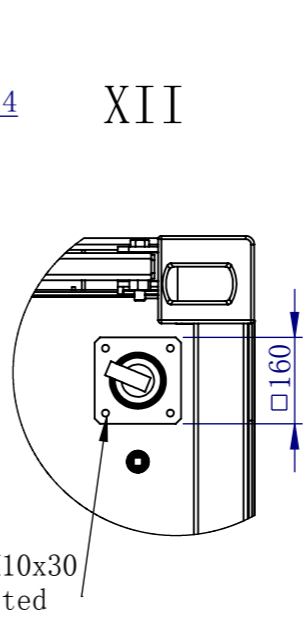
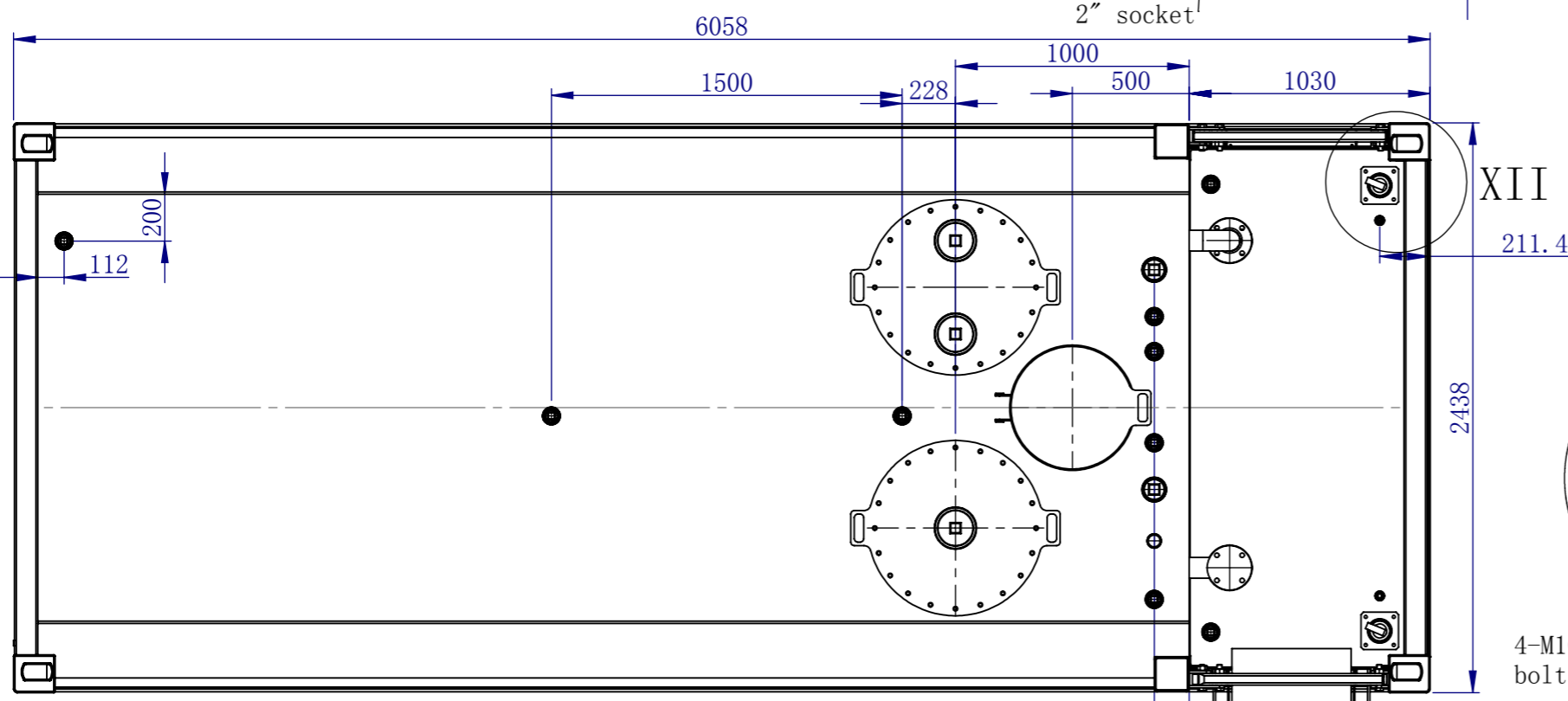
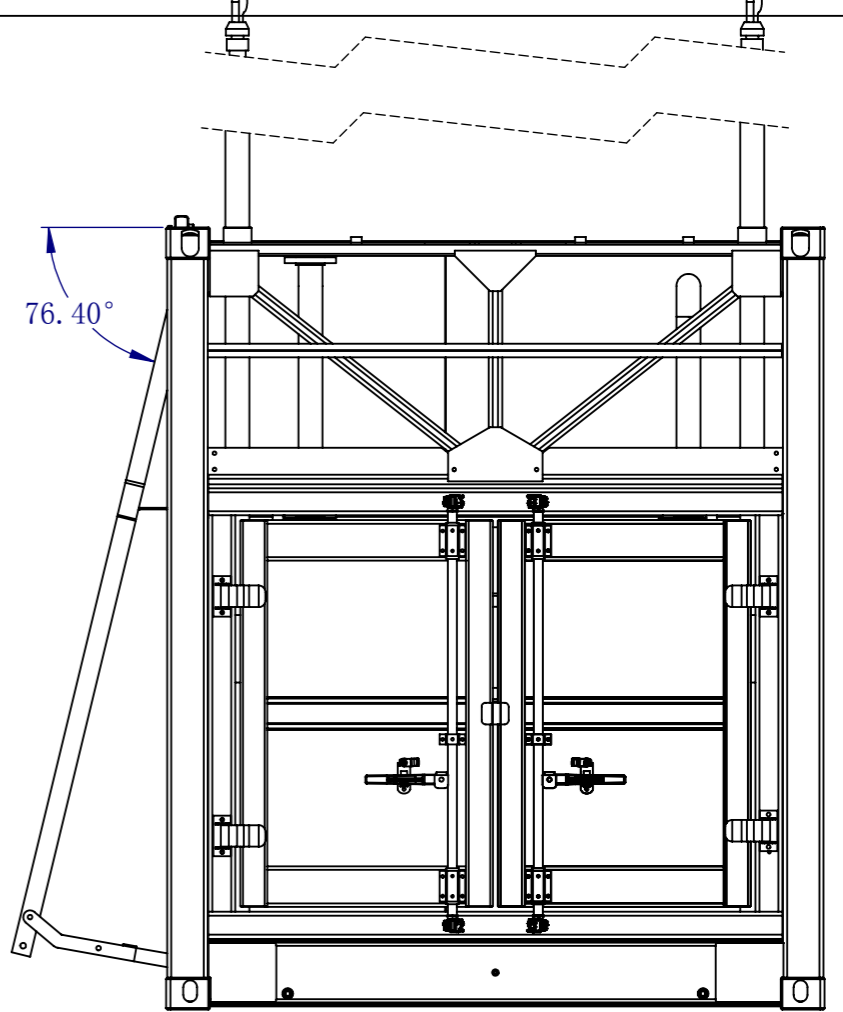
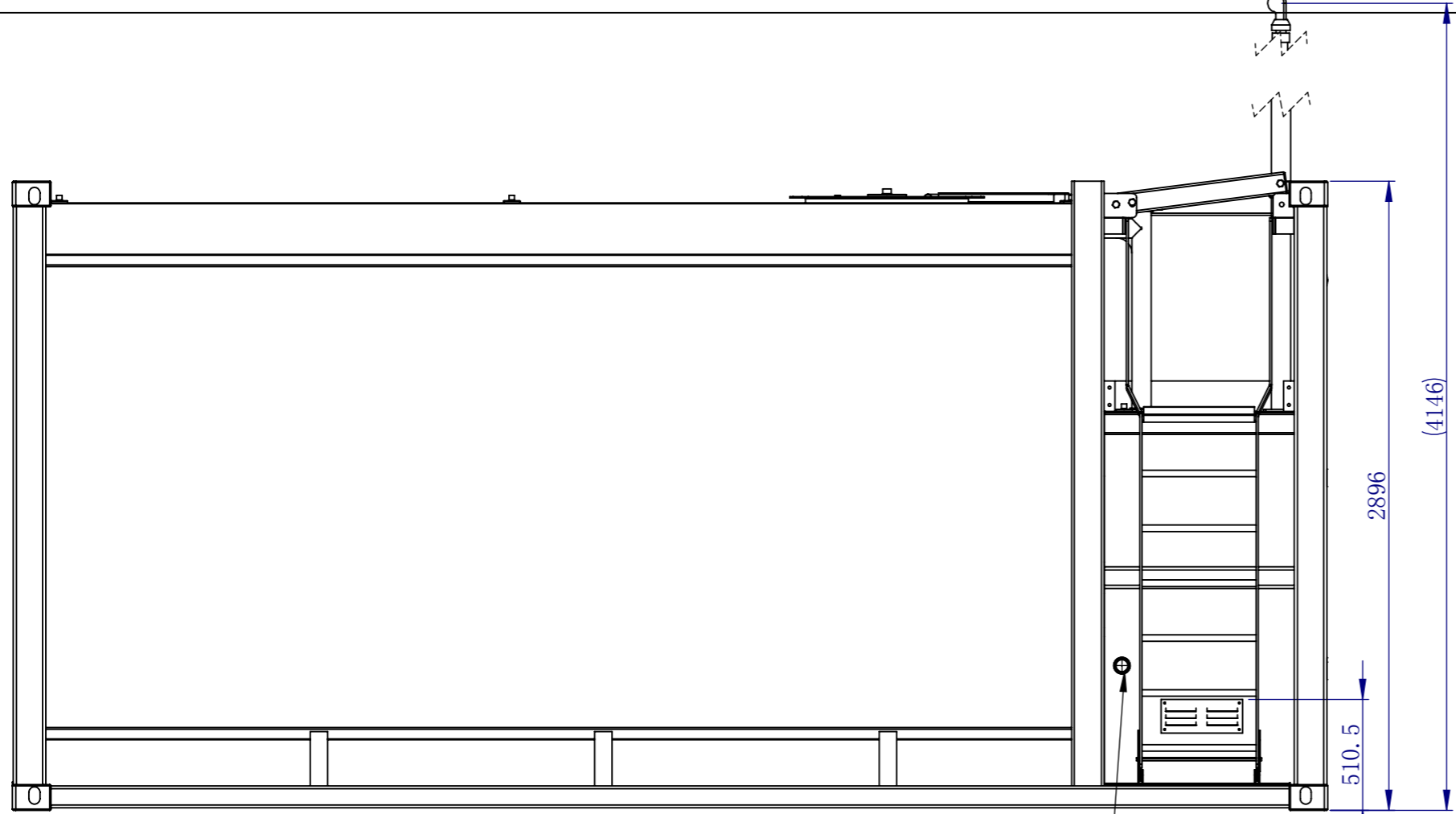


07					
06					
05					
04					
03					
02					
01					
REV:	DATE:	REVISION:	DRAWN:	CHECKED:	APPROVED:



Material:
Weight: 7668.35KG

DRAWN:	SAVING DATE:	TITLE:		
	2016/3/15	20' HC		
CHECKED:	DATE:	DRAWING NO. :	REV:	A3
CLIENT:	DATE:		SHEET: 1 of 19	
APPROVED:	DATE:	PURCHASE ORDER NO. :	Scale: No scale	⊕ - ▢



07					
06					
05					
04					
03					
02					
01					
REV:	DATE:	REVISION:	DRAWN:	CHECKED:	APPROVED:



Material: _____
Weight: 7668.35KG

DRAWN:	SAVING DATE:	TITLE:		
CHECKED:	DATE:	2016/3/15	20' HC	
CLIENT:	DATE:	DRAWING NO. :	REV:	A3
APPROVED:	DATE:	PURCHASE ORDER NO. :	SHEET: 2 of 19	
			Scale: No scale	⊕ - ▢