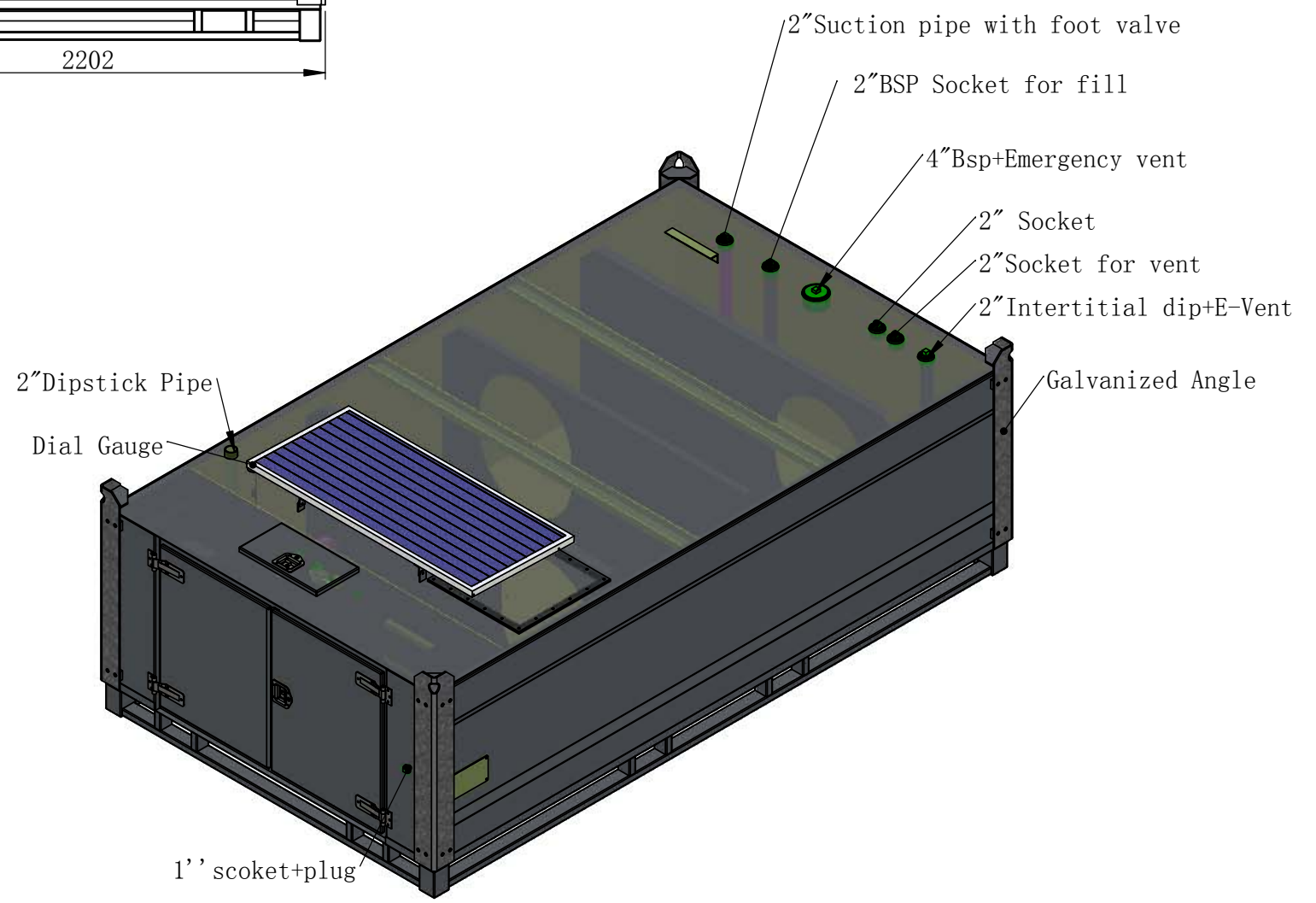
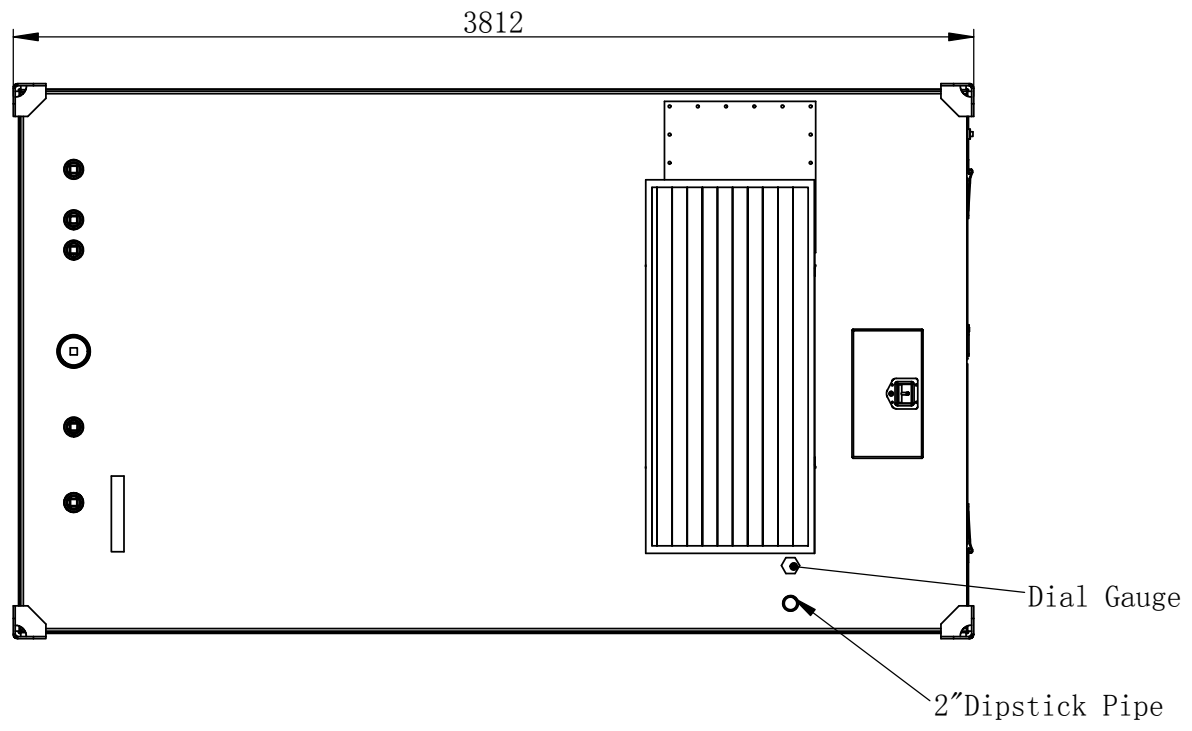
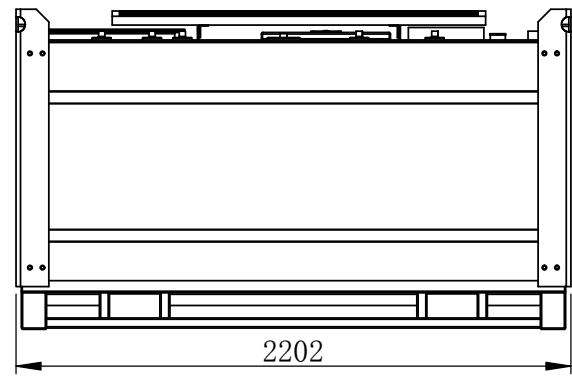
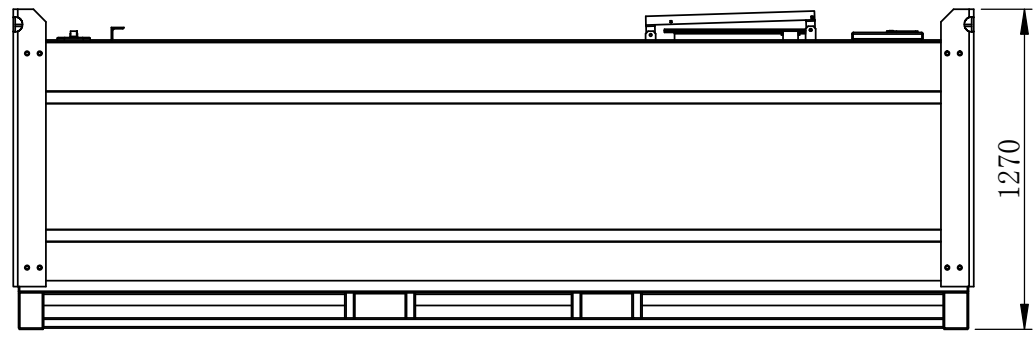


TANK DATA	
TANK CONTENTS:	DIESEL
GROSS VOLUME:	6340L
SAFE FILL LEVEL:	6000L



07					
06					
05					
04					
03					
02	2016/03/08	E			
01	2016/03/01	E			
REV:	DATE:	REVISION:	DRAWN:	CHECKED:	APPROVED:

Note:
 > Designed and approved to AS1940 / AS1692 / AS1657
 > All welding to AS1554.1



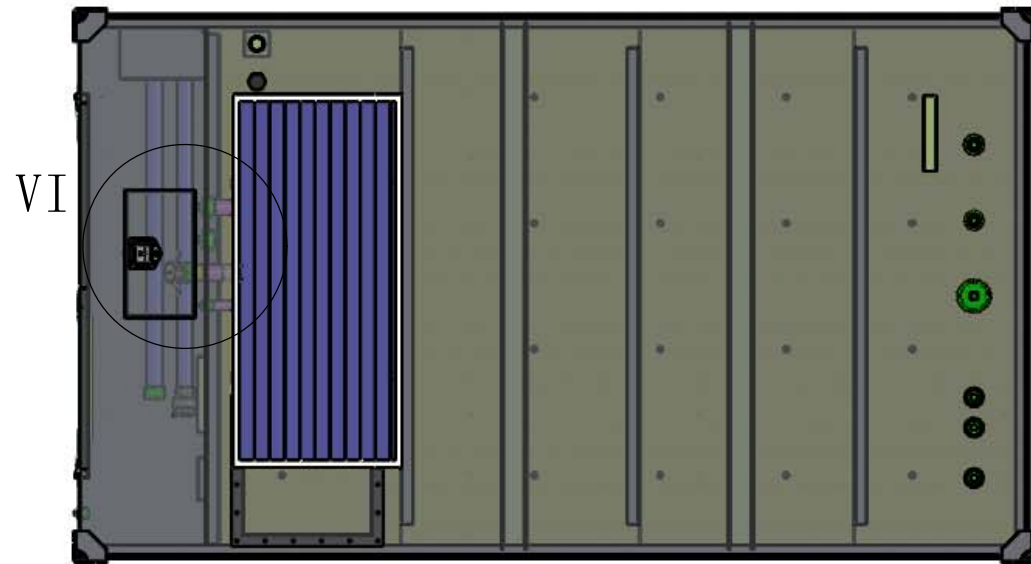
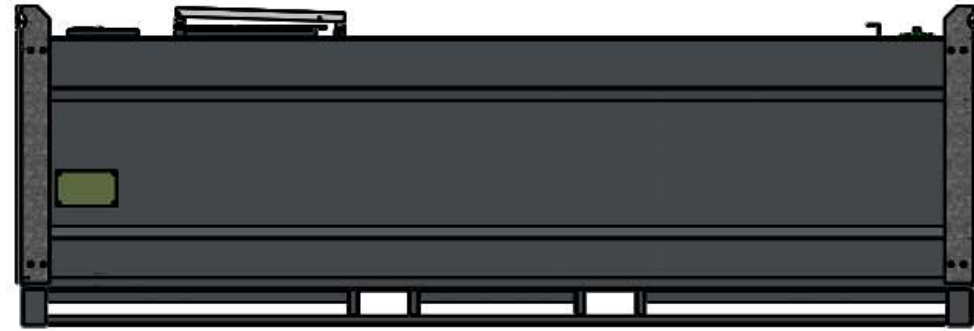
Material:
 Weight: 2025.22KG

DRAWN:
 CHECKED:
 CLIENT:
 APPROVED:

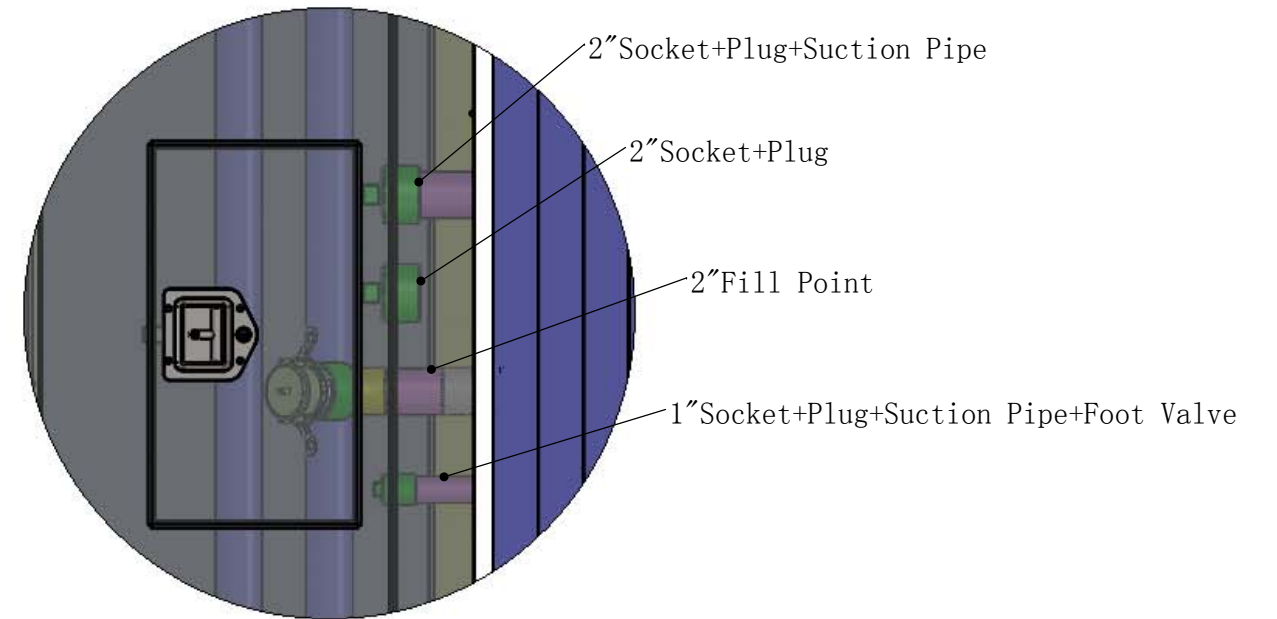
SAVING DATE: 2016/8/26 星期五
 DATE:
 DATE:
 DATE:
 TITLE: 总装配
 DRAWING NO. :
 PURCHASE ORDER NO. :
 REV:
 SHEET: 1 of 7
 Scale: No scale

A3





VI



07					
06					
05					
04					
03					
02					
01					
REV:	DATE:	REVISION:	DRAWN:	CHECKED:	APPROVED:

Note:
 > Designed and approved to AS1940 / AS1692 / AS1657
 > All welding to AS1554.1



Material:
 Weight: 2025.22KG

DRAWN:	SAVING DATE: 2016/8/26 星期五	TITLE: 总装配	REV:	A3
CHECKED:	DATE:	DRAWING NO. :	SHEET: 2 of 7	
CLIENT:	DATE:	PURCHASE ORDER NO. :	Scale: No scale	⊕ - ▷
APPROVED:	DATE:			