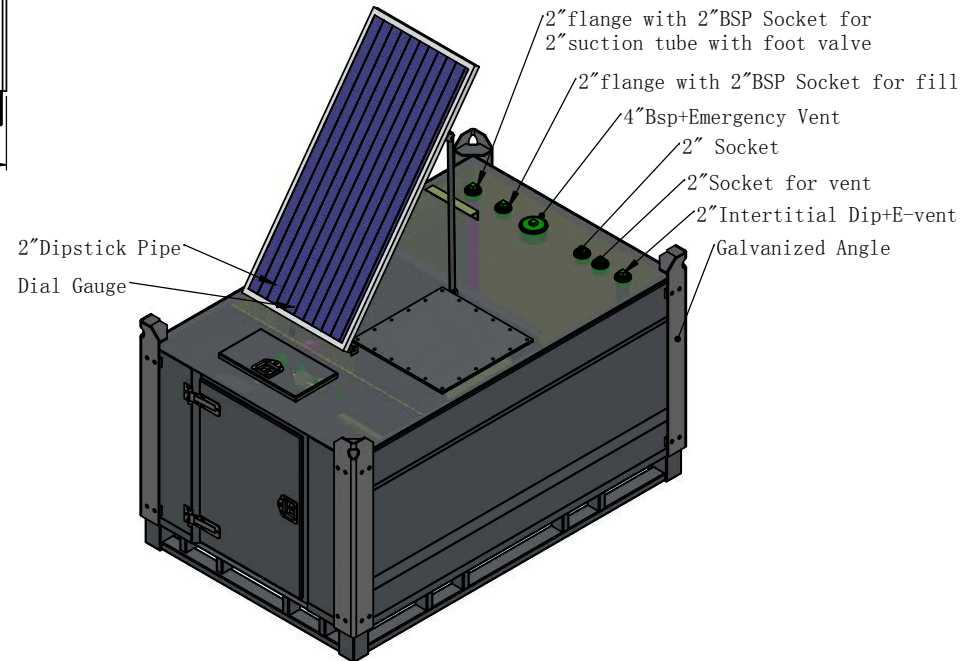
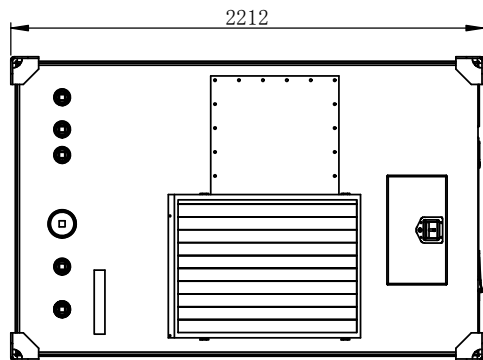
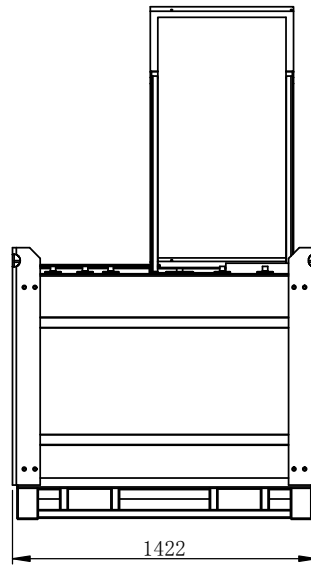
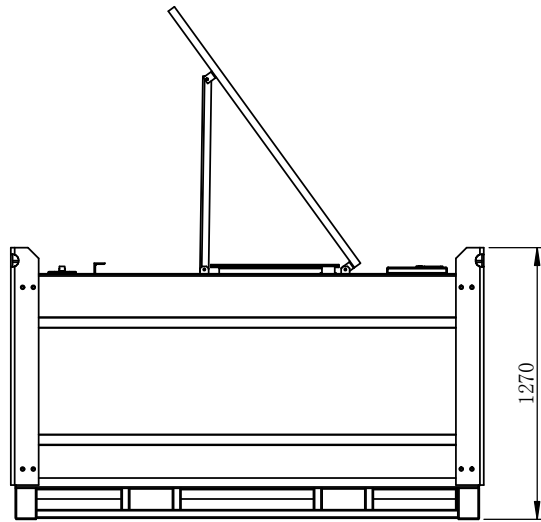


TANK DATA	
TANK CONTENTS:	DIESEL
GROSS VOLUME:	2100L
SAFE FILL LEVEL:	2000L



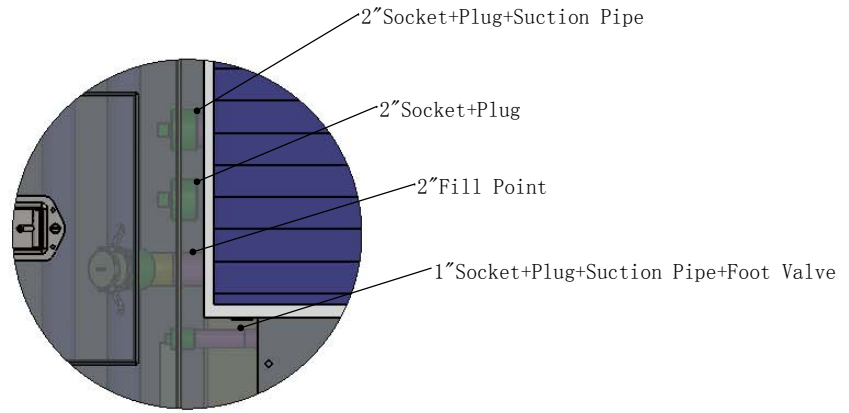
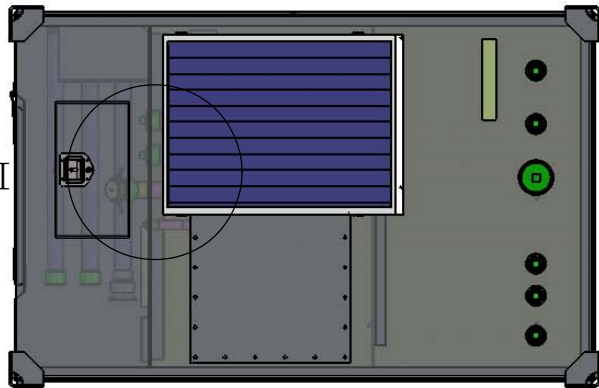
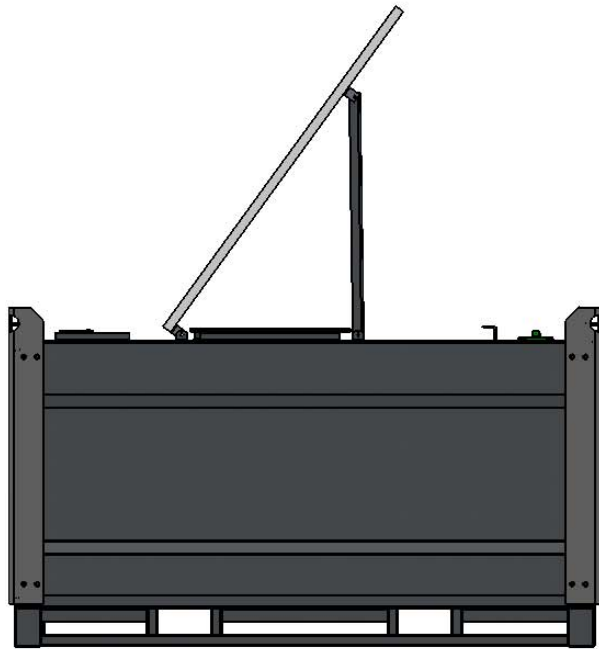
07					
06					
05					
04					
03					
02	2016/03/08	E			
01	2016/03/01	E			
REV:	DATE:	REVISION:	DRAWN:	CHECKED:	APPROVED:

Note:
 > Designed and approved to AS1940 / AS1692 / AS1657
 > All welding to AS1554.1



Material:
 Weight: 1006.07KG

DRAWN:	SAVING DATE: 2016/8/26	TITLE: 总装配	REV:	A3
CHECKED:	DATE:	DRAWING NO.:	SHEET: 1 of 6	
CLIENT:	DATE:	PURCHASE ORDER NO.:	Scale: No scale	⊕ ⊃
APPROVED:	DATE:			



II

07					
06					
05					
04					
03					
02	2016/03/08	E			
01	2016/03/01	E			
REV:	DATE:	REVISION:	DRAWN:	CHECKED:	APPROVED:

Note:
 > Designed and approved to AS1940 / AS1692 / AS1657
 > All welding to AS1554.1



Material:
 Weight: 1006.07KG

DRAWN:	SAVING DATE: 2016/8/26	TITLE: 总装配	REV:	A3
CHECKED:	DATE:	DRAWING NO.:	SHEET: 2 of 6	
CLIENT:	DATE:	PURCHASE ORDER NO.:	Scale: No scale	☉-▷
APPROVED:	DATE:			