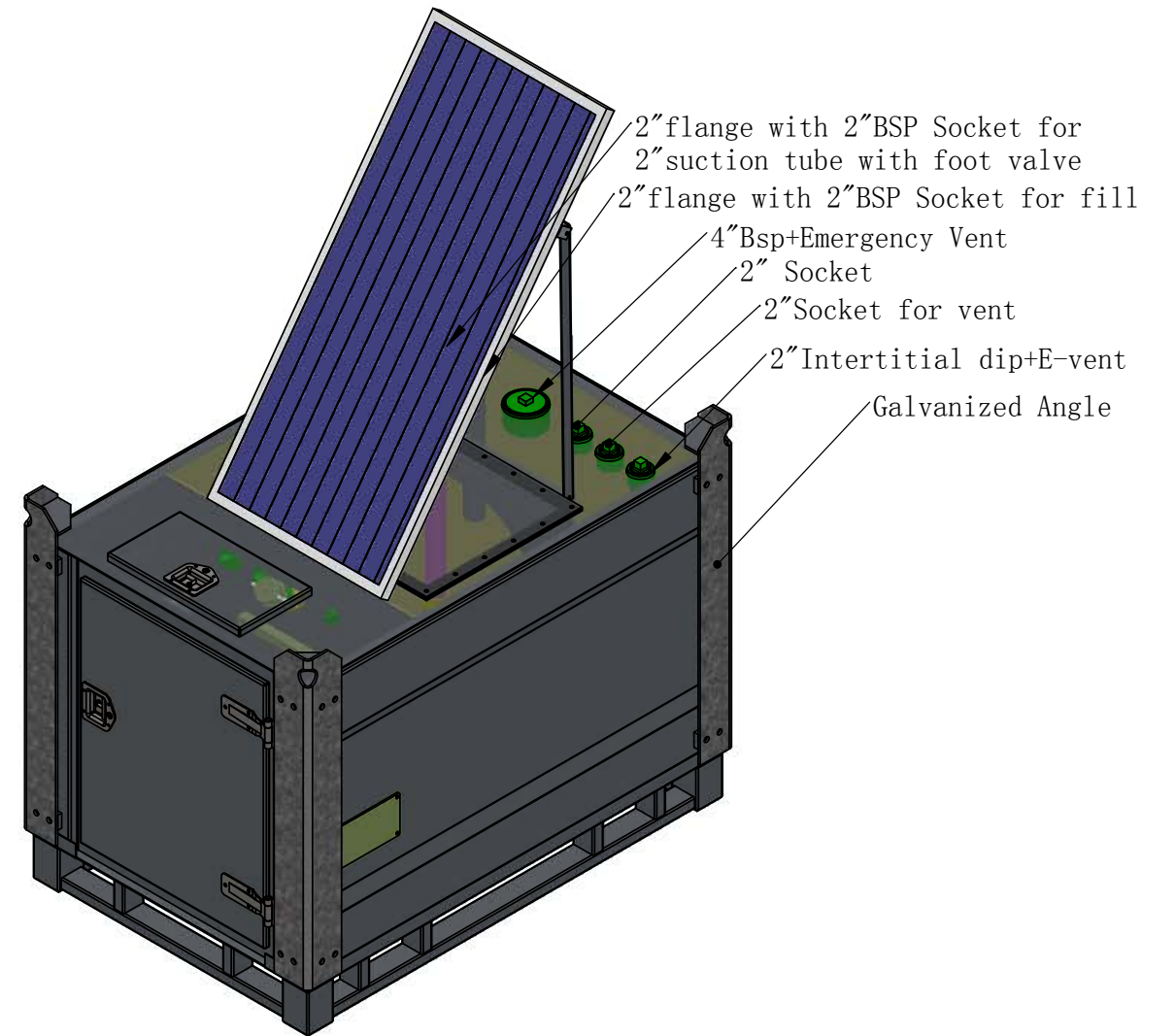
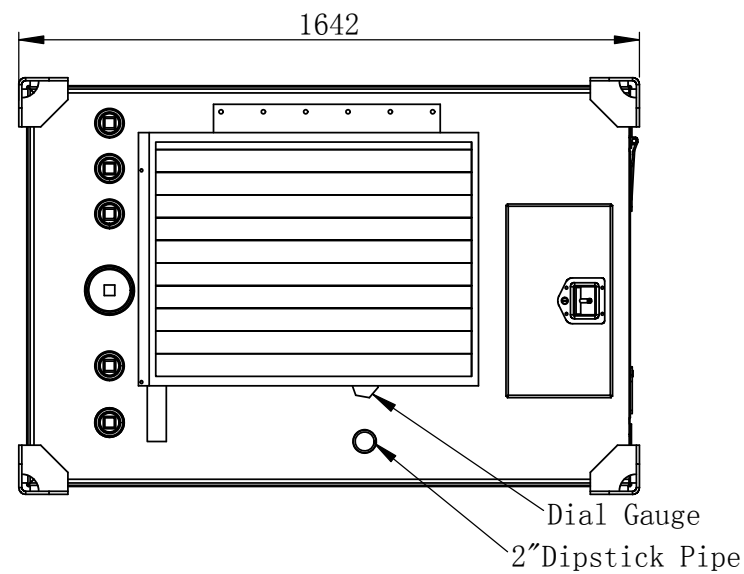
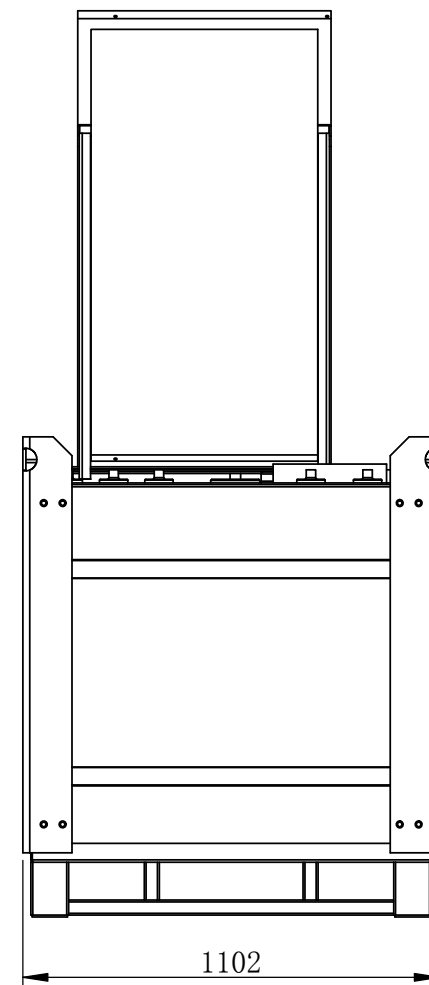
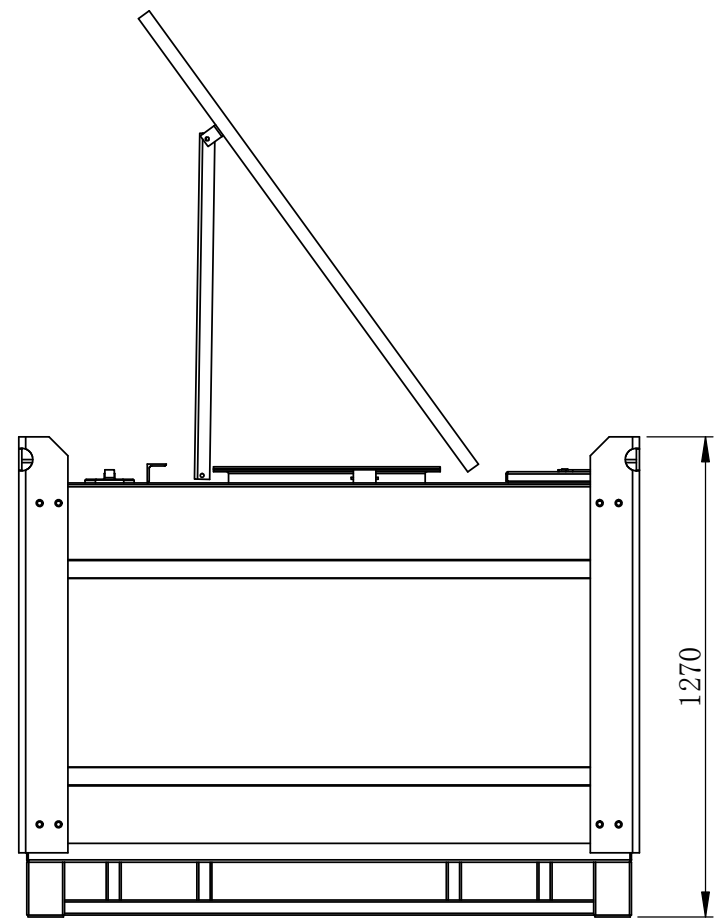


TANK DATA	
TANK CONTENTS:	DIESEL
GROSS VOLUME:	1,079L
SAFE FILL LEVEL:	1,000L



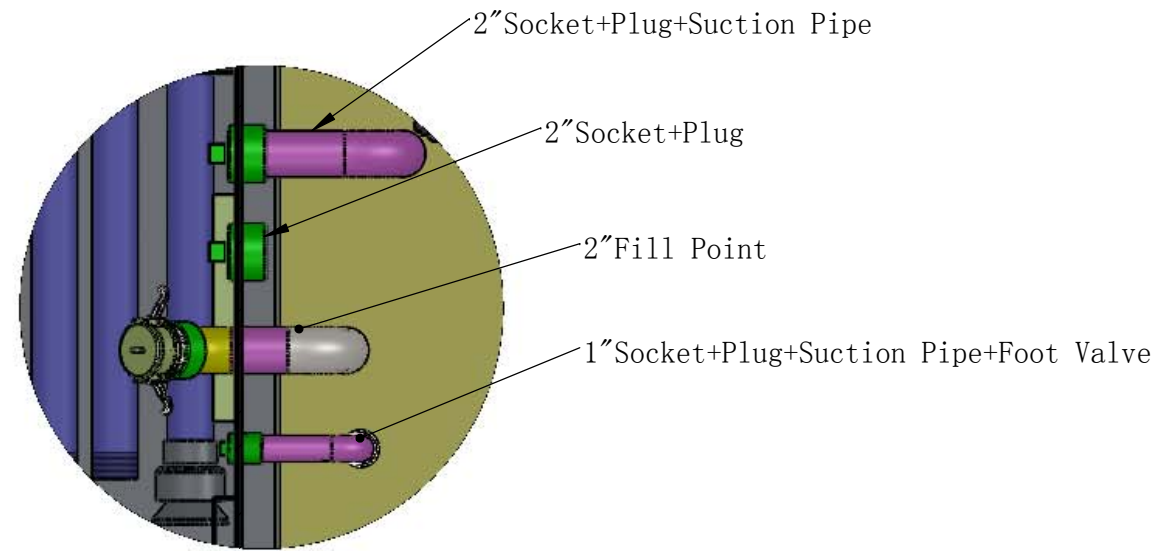
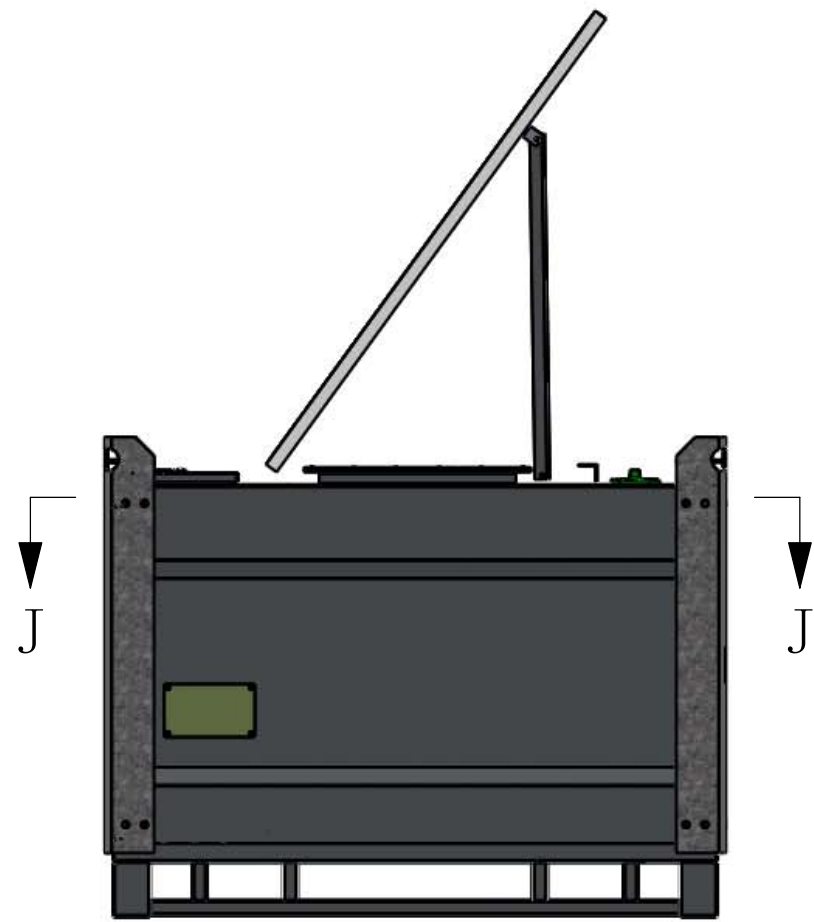
07					
06					
05					
04					
03					
02	2016/03/08	E			
01	2016/03/01	E			
REV:	DATE:	REVISION:	DRAWN:	CHECKED:	APPROVED:

Note:
 > Designed and approved to AS1940 / AS1692 / AS1657
 > All welding to AS1554.1

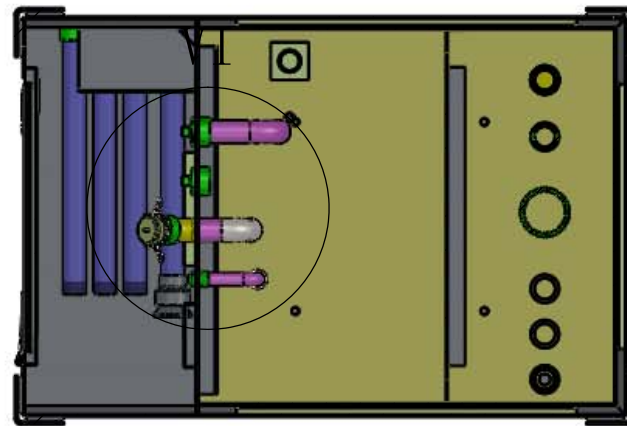
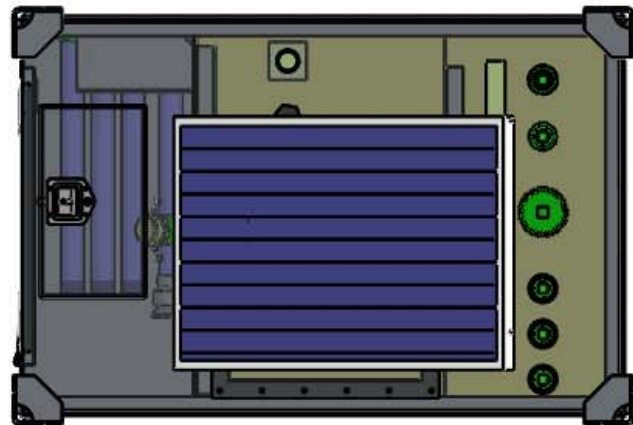


Material:
 Weight: 707.74KG

DRAWN:	SAVING DATE:	TITLE:		
	2016/8/26 星期五	总装配		
CHECKED:	DATE:	DRAWING NO.:	REV:	A3
CLIENT:	DATE:		SHEET: 1 of 8	
APPROVED:	DATE:	PURCHASE ORDER NO.:	Scale: No scale	⊕ - ▷



VI



J-J

07					
06					
05					
04					
03					
02	2016/03/08	E			
01	2016/03/01	E			
REV:	DATE:	REVISION:	DRAWN:	CHECKED:	APPROVED:

Note:
 > Designed and approved to AS1940 / AS1692 / AS1657
 > All welding to AS1554.1



Material:
 Weight: 707.74KG

DRAWN:	SAVING DATE: 2016/8/26 星期五	TITLE: 总装配	REV:	A3
CHECKED:	DATE:	DRAWING NO. :	SHEET: 2 of 8	
CLIENT:	DATE:	PURCHASE ORDER NO. :	Scale: No scale	⊕ - ▷
APPROVED:	DATE:			