



9" Emergency Inspection Hatches EH230 SERIES

Liquip offers a unique 225mm (9") aluminium emergency inspection hatch with a quick opening lid that doubles as an emergency vent with pressure/vacuum relieving vent and rollover protection.

Features & Benefits

- Easy to open.
- Two stage opening for added safety.
- Operates as an emergency vent.
- Incorporates a standard Liquip pressure vacuum vent for thermal relief of the tanker (optional).
- Supplied as a complete unit ready for fitting to a tanker or storage tank.
- A wide variety of seals are available depending on the product being stored or transported.

Technical Information

Standards

Complies with Australian Standard AS2809 and USA standard NFPA 385 (1990).

Two-Stage opening

- For safety the hatch has a two-stage opening and also acts as an emergency vent.
- Supplied as a complete assembly.

Pressure and Capacity

For emergency vent opening pressure & capacity refer to individual data sheets for Emergency Vent configurations.

Coaming and Seals

- The Weld-in 150mm coaming is available in aluminium, mild steel or stainless steel.
- Wide variety of seals available to suit various applications & products.

PVV Valves

- Optional pressure & vacuum vent can be incorporated. For opening pressure & capacity see PVV104 series datasheet.
- PVV104 vent is standard for Australia & NZ.
- PVV104U is standard for most other countries.

Ordering Information

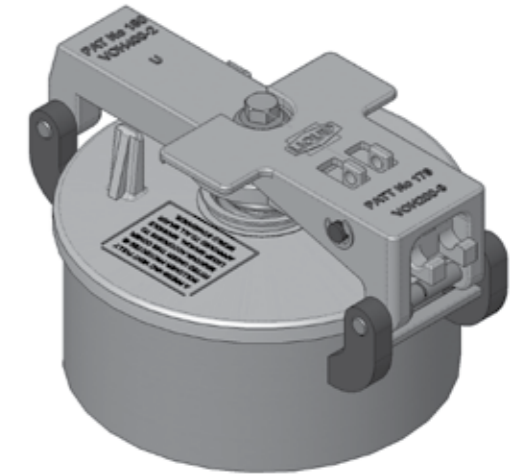
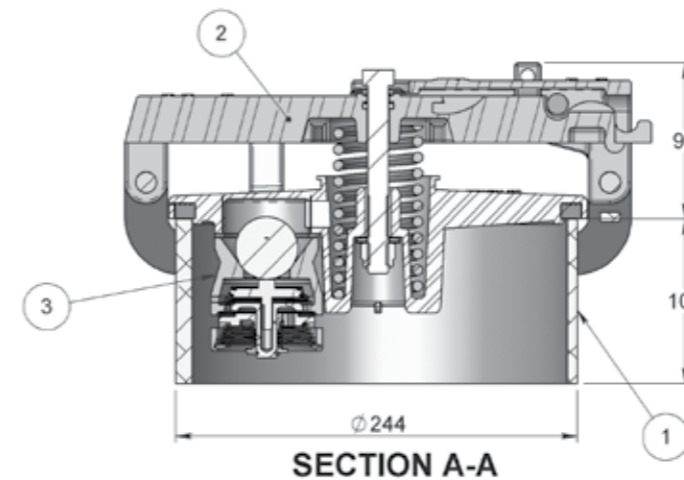
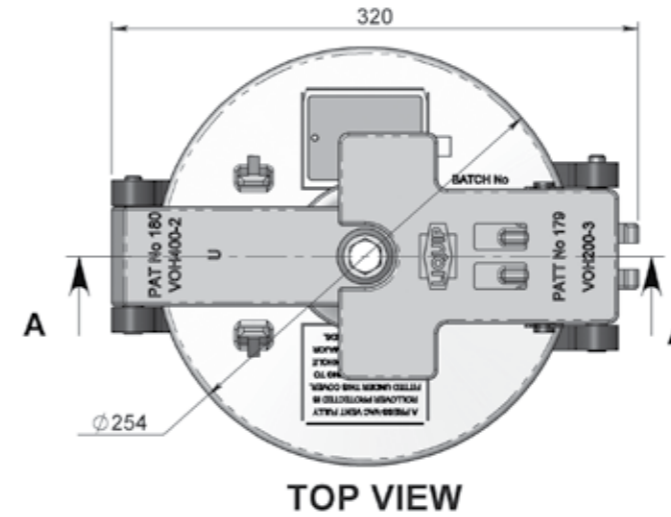
EH230 - A - 2AV - 2

COAMING MATERIAL
A = Aluminium
M = Mild Steel

EMERGENCY VENT
2A = Nitrile Seal (Australian)
2AV = Viton™ Seal (Australian)
2U = Nitrile Seal (rest of the world)
2UV = Viton™ Seal (rest of the world)

PVV VENT
2 = Blanking Plate
4 = PVV104 (Australian)
4U = PVV04U (rest of the world)

EH230 EMERGENCY HATCH ASSEMBLIES



ITEM	PART NUMBER	DESCRIPTION	DESCRIPTION (CONT')	MATERIAL
1	EH230-1A	COAMING ASSEMBLY	9" EMERGENCY HATCHES	ALUMINIUM
	EH230-1M	COAMING ASSEMBLY FOR 9"	EMERGENCY HATCHES	STEEL
2	VOH500-32A	EMERGENCY VENT PLAIN BRIDGE & HANDLE	AUST SPRING & LABEL	ALUMINIUM & NITRILE
	VOH500-32AV	EMERG. VENT, BRIDGE & PLAIN HANDLE VITON SEAL 0237	AUST SPRING & LABEL	ALUMINIUM & VITON
	VOH500-32U	EMERG. VENT BRIDGE & PLAIN HANDLE	CEN SPRING & LABEL	ALUMINIUM & NITRILE
	VOH500-32UV	EMERG. VENT BRIDGE & PLAIN HANDLE VITON SEAL 0237	CEN SPRING & LABEL	ALUMINIUM & VITON
3	PVV104	PRESSURE AND VACUUM VENT	AUST SPRING	ALUMINIUM
	PVV104U	PRESSURE AND VACUUM VENT	UK & US VERSION	ALUMINIUM
	PVV104-2	BLANKING PLATE	WHEN NO PVV FITTED	ALUMINIUM