



LBV350VG shown

### 3" Flanged Butterfly Valves

Liquip's range of 3" butterfly valves provide and control full flow through pipelines fitted with 75mm (3") TTMA flanges.

With a lightweight and durable design Liquip's butterfly valves are the butterfly valve of choice.

#### Features & Benefits

- 4 stage opening/closing valve.
- 75mm (3") product flow.
- Industry Standard 3" TTMA Flange Mounting.
- Bonded Viton™ seal for increased durability.
- Lightweight aluminium body.
- Can be fitted with an Air Actuator or locking tab as required.

#### Technical Information

##### Working pressure

- 1,500 kPa (210 PSI) in open position.
- 700 kPa (101 PSI) in closed position.

##### Operating temperature

-10°C to 100°C.

##### Mounting

Mounts directly to Liquip 75mm TTMA standard flange with chamfered entry to ensure disc clearance in open position.

##### Adjustment/Service

Periodically (approx. every 6 months), inspect butterfly seat.

#### Ordering Information

- **LBV350VG:** 3" Butterfly valve c/w bonded Viton™ GFLT seal.
- **LBV300:** 3" Butterfly valve c/w bonded Viton™ seal.
- **LBV300Z:** LBV300 c/w 2 x 3" TTMA NBR gaskets.
- **LBV300VZ:** LBV300 c/w 2 x 3" TTMA Viton™ gaskets.

#### Associated Equipment

- **BF3:** 75mm TTMA aluminium flange (also available in mild & stainless steels).
- **0656:** 75mm TTMA NBR cork gasket.
- **4287:** 75mm TTMA Klingerite gasket.

#### Materials

- Body - Cast aluminium.
- Butterfly disc - Cast aluminium.
- Handle - Cast aluminium with zinc plated steel locking lever.
- Spindle - Stainless Steel.
- Seal - Bonded Viton™ A.

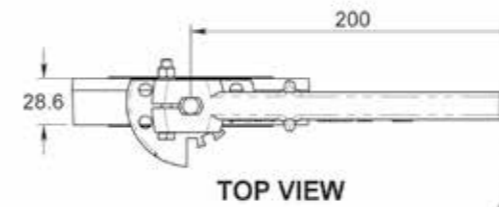
#### Weight

- 1.6kg - LBV300.
- 1.16kg - LBV3-LA.

- **LBV3-LA:** 3" Machined butterfly valve.
- **LBV3-AAZ:** 3" Butterfly Valve & Air Actuator.
- **LBV3-AASRZ:** 3" Butterfly Valve & Spring Return Actuator.

- **0656V:** 75mm TTMA Viton™ gasket.
- **LBV4-7:** Locking tab.
- **LBV-AA:** Air Actuator.
- **LBV-AASR:** Spring Return Air Actuator.

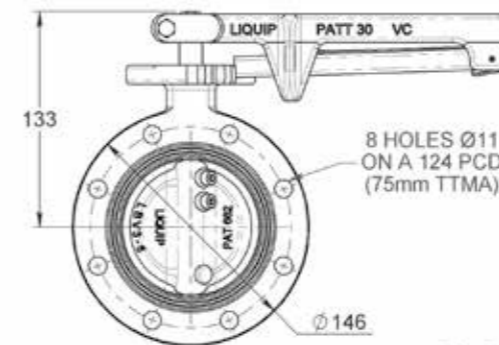
## LBV300 BUTTERFLY VALVE 75mm TTMA



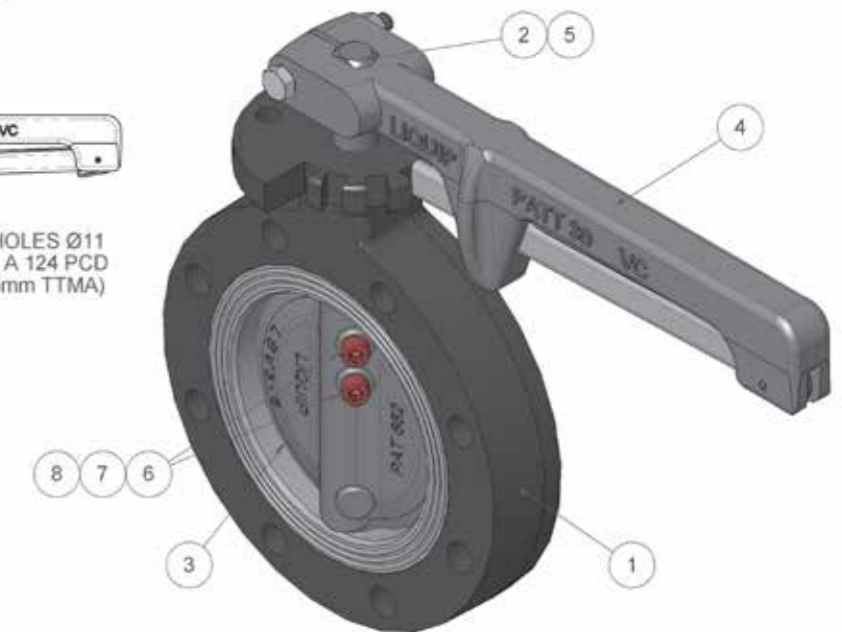
TOP VIEW



OPEN POSITION



FRONT VIEW



ISOMETRIC VIEW

ITEM NO.	PART NUMBER	DESCRIPTION	QTY	MATERIAL
1	LBV350-1	BODY WITH BONDED SEAL	1	ALUMINIUM
2	LBV3-6	SPINDLE	1	ST STEEL
3	LBV3-5	BUTTERFLY 3" DISC	1	ALUMINIUM
4	LBV3-1	HANDLE ASSY	1	ALUMINIUM
5	0225	O-RING	2	NITRILE
6	709	CAPSCREW METRIC	2	Z/P STEEL
7	0156	NUT NYLOC	2	Z/P STEEL
8	3368	PIPE SEALANT	1	SEALANT

LBV4-7 LOCKING TAB TO REPLACE HANDLE IS AVAILABLE AS A OPTION.