



Air Operated Top Operators

The ACL series provides a “quick action” lifting mechanism for opening the internal valve of a tanker from a pneumatic control box.

The pneumatic operation allows complete control of the loading and discharge operation from ground level without having to access the tank top.

The ACL series has been developed with stainless steel and Teflon™ components for use with petroleum and/or chemical based

Features & Benefits

- Air operated or manually operated.
- Encompasses an industry first unique safety guard for added operator protection (patent pending).
- Contains a bush/bearing and O-ring to seal in the event of a tanker rollover.
- Can be bolted directly to the tank walkway or secured using a weld in flange.

Technical Information

Operation

- Switch air pressure to the inlet of the camlift via an air control box or push/pull valve.
- **To manually open:** rotate the handle 90° clockwise until the handle is in the upper locked position.
- **To manually close:** rotate the handle 90° anti-clockwise. A spring return on the camlift ensures the valve spring can operate unimpeded.

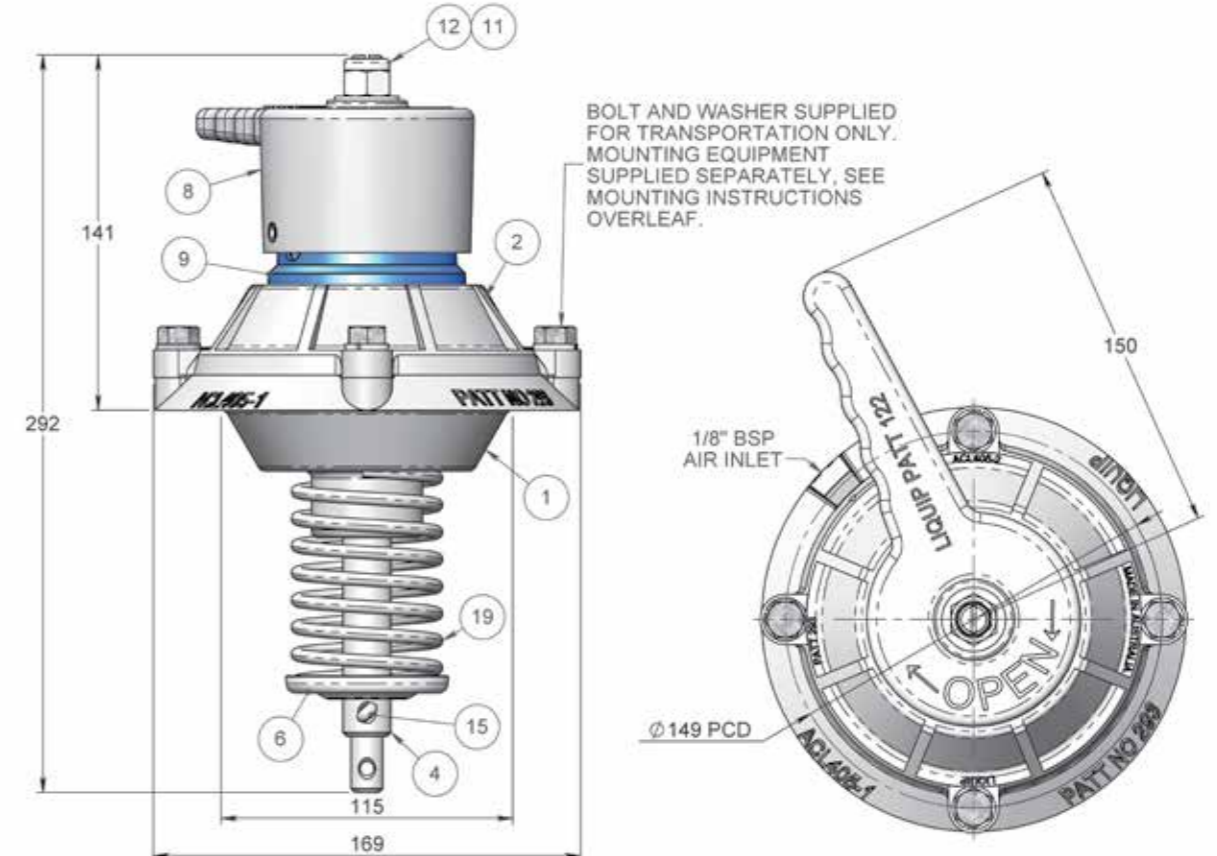
Ordering Information

- **ACL405RGAT:** Air operated camlift (Aluminium handle and body, Teflon™ seals & stainless steel fasteners).
- **ACL405RGATZ:** ACL405RGAT comes with Teflon™ Gasket.
- **ACL405RGATS:** Air operated camlift - S/S.

Associated Equipment

- **LW410:** 2.1m Lifting Wire Kit.
- **ACL405-11A:** Aluminium mounting flange.
- **SLV Series:** Liquip internal valves.

ACL405RGRAT AIR OPERATED CAMLIFT



20	5364	WASHER FLAT	1	Z/P STEEL
19	0917	SPRING	1	ST STEEL
18	40444	INSTRUCTION LEAFLET	1	PAPER
17	0109	WASHER SPRING	4	Z/P STEEL
16	0021	SETSCREW HEX HD	4	Z/P STEEL
15	0777	SPLIT PIN	1	ST STEEL
14	0915	SPRING	1	SPRING STEEL
13	0224	O-RING	1	NITRILE
12	0152	NUT NYLOC	1	Z/P STEEL
11	0104	WASHER	1	Z/P STEEL
10	0246	DIAPHRAGM	1	RUBBER
9	CL402-3	GUARD	1	NYLON
8	CL401-1R	HANDLE	1	ALUMINIUM
7	ACL404-9	NUT - HALF	1	Z/P STEEL
6	ACL404-6S	SPRING RETAINER	1	ST STEEL
5	ACL404-4	TOP PLATE	1	ALUMINIUM
4	ACL404-3AT	SPINDLE S/S	1	ST STEEL
3	ACL405-13	TRAVEL LIMITER	1	ACETAL
2	ACL405-2	TOP BODY AIR CAM LIFT	1	ALUMINIUM
1	ACL405-1AT	BASE AIR OPERATED CAMLIFT	1	ALUMINIUM
ITEM	PART No.	DESCRIPTION	QTY	MATERIAL