

SLV5 Air Operated Series

The SLV5-ARO pneumatic and sequential emergency valve incorporates the latest technical advancements to ensure high flow rates and the safe loading and discharge of road tankers.

The SLV-ARO has a specially designed poppet that provides a reduction in static electricity for fast and safe operation at high flow rates.

This valve is installed in the compartment floor and controls the flow of product from each compartment. It also incorporates a shear groove which is designed to break below the valve and retain the compartment contents in the event of accidental damage to the wet legs or API adaptors.

The 125mm diameter poppet has a concave design which operates as a deflector reducing splash, surge and static build up during loading and similarly during discharge. The unique design results in nil vortexing of the product meaning faster and safer loading and unloading.



Features & Benefits

- A unique hinged poppet design that acts as a splash deflector to eliminate vortexing of product surges and static build up.
- Minimal pressure drop across the system.
- Can be operated pneumatically or manually.
- Can be manually operated with a jack screw in the event of pressure loss.
- Air operator assembly is easily removable & replaceable.
- Specially bonded lip seal design for superior sealing and extended life.
- Fitted with Viton™A seals as standard for superior product compatibility.
- Incorporates a shear groove that is designed to retain the compartment contents in the event of accidental damage.
- Easily removed for routine maintenance.

Technical Information

Pressure Rating

Nominal Ø100mm flow area except poppet is Ø125 bore for minimum pressure drop. Needs a minimum of 350 kPa of air pressure.

Air Consumption

Consumption 1.0L free air per stroke.

Mounting

Bolted to sump or tank flange at the bottom of tank 8 holes Ø9.5 on a 210 PCD.

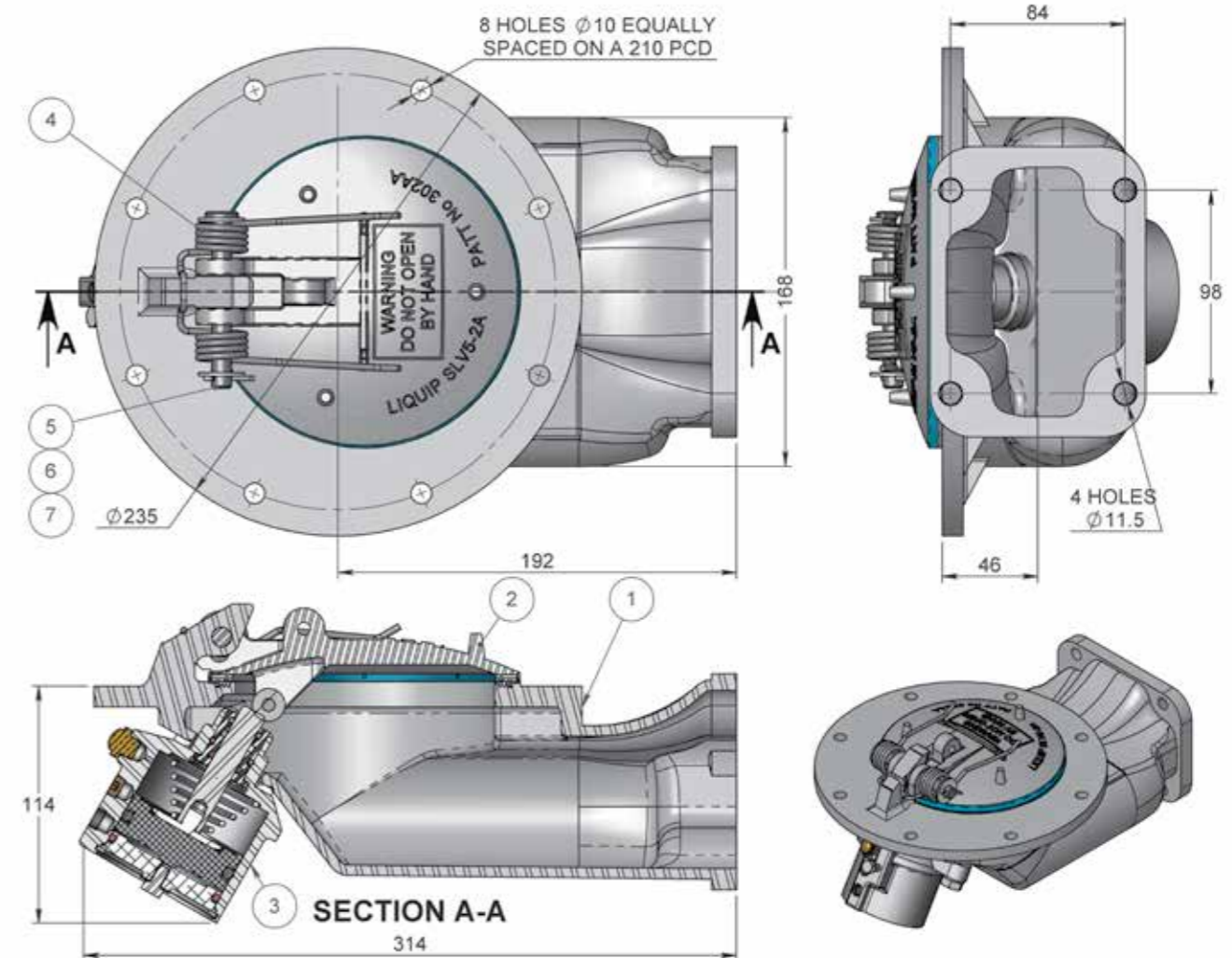
Ordering Information

- **SLV5-ARO:** Air Operated Internal Valve with Bonded Viton™A seal.
- **SLV5-AROZ:** SLV5:ARO comes with Neo Cork Gaskets (tank and pipe flange).
- **SLV5-AROVZ:** SLV5:ARO comes with Viton™A Gaskets (tank [3mm] and pipe [3mm] flange).
- **SLV5-AROTVZ:** SLV5:ARO comes with 1.6mm Viton™A Gaskets (tank [1.6mm] and pipe [3mm] flange).
- **SLV5-AROAVI:** Air Operated Internal Valve with Bonded Viton™A seal- Aviation Specification.
- **SLV5-AROAVIZ:** SLV5-AROAVI comes with NBR Corke Gaskets (tank and pipe flange).
- **SLV5-AROC:** Air Operated Internal Valve with Bonded FFKM seal- Chemical.

Associated Equipment

- **ARO100:** External Air Ram Assembly for SLV5 Foot Valves.
- **ACL405RGAT:** Air operated camlift (Aluminium handle and body, Teflon™ seals & stainless steel fasteners).
- **CL402RG:** Manual top operator (Aluminium handle and body, Viton™A O-ring and Z/P steel internals).
- **LW410:** Stainless Steel Lifting Wire Kit.
- **SLV5-13A:** Aluminium SLV5 Tank Flange c/w metric studs & nuts.
- **SLV5-13M:** Mild Steel SLV5 Tank Flange c/w metric studs & nuts.
- **SLV5-47:** 4" Mild Steel Adaptor Outlet to suit 4" steel tube.
- **SLV5-110:** Aluminium Adaptor Outlet to suit 100mm tube.
- **SLV5-114:** Aluminium Adaptor Outlet to suit 4" pipe.

SLV5-ARO EMERGENCY VALVE



ITEM	PART No	DESCRIPTION	SLV5-ARO	SLV5-AROC	MATERIAL
7	0764	SPLIT PIN	1	1	ST STEEL
6	0102	WASHER FLAT	2	2	Z/P STEEL
5	SLV5-8	PIN PIVOT OPERATING	1	1	ST STEEL
4	6154	SPRING DOUBLE TORSION	-	1	ST STEEL
	0323	SPRING DOUBLE TORSION	1	-	Z/P STEEL
3	ARO100C	PISTON AIR OPERATING CHEMICAL	-	1	ALUMINIUM
	ARO100Y	PISTON AIR OPERATING STANDARD	1	-	ALUMINIUM
2	SLV5-2ASK	LID & ROLLER ASSY - CHEMICAL	-	1	ALUM / FFKM
	SLV5-2AS	LID & ROLLER ASSY - STANDARD	1	-	ALUM / FKM
1	SLV5-1	ELBOW BODY	1	1	ALUMINIUM

Chemical Air Operated Emergency Valve

The Liquip SLV5-AROC pneumatic Chemical Trim (FFKM) Valve leads the industry with its low profile, low splash and vortex free design which minimises static and also enables faster tanker unloading than traditional mushroom poppet valves.

FFKM (a perfluoroelastomer commonly known as Ekraz or Kalrez) is one of the most chemically resistant materials available and is suitable for some of the harshest chemical compounds. FFKM is commonly used with aggressive, corrosive and reactive chemicals.

Liquip also offers some spare parts for the obsolete SLC200 series bottom valve - contact Liquip for further details.



Features & Benefits

- Incorporates the latest technical advancements to ensure fast and safe loading and discharge of road tankers.
- The valve is installed underneath the compartment floor and controls the flow of product from each compartment individually.
- The 125mm dia. poppet has a concave design which operates as a deflector reducing splash, surge and static build up during loading and similarly during discharge.
- Hinged poppet design gives minimum height, so valve requires very little clearance to drop out for servicing.
- Emergency jacking screw in the air ram allows drainage if air is unavailable.
- Can be used with top operator.
- FFKM seals can be distinguished by the white colour.

Technical Information

Pressure

Nominal Ø100mm flow area except poppet is Ø125 bore for minimum pressure drop. Needs a minimum of 350 kPa of air pressure.

Air Consumption

Consumption 1.0L free air per stroke.

Materials

Aluminium body. Stainless steel main spindle. Chemical Trim, FFKM main seal bonded to aluminium poppet. Aluminium air ram body with FFKM seals, Teflon™ bush and gasket.

Weight

3.0 kg.

Ordering Information

- **SLV5-AROC:** Air Operated Internal Valve with Bonded FFKM seal - Chemical.

Associated Equipment

- **4646:** Teflon™ gasket to suit SLV5 air ram.
- **6086:** Gore-Tex® Gasket to suit SLV5 Pipe Flange.
- **7591:** Gore-Tex® Gasket to suit SLV5 Tank Flange.

Mounting

Bolted to sump or tank flange at the bottom of tank 8 holes Ø9.5 on a 210 PCD. Outlet adaptor from rectangular to round is available in aluminium or steel.

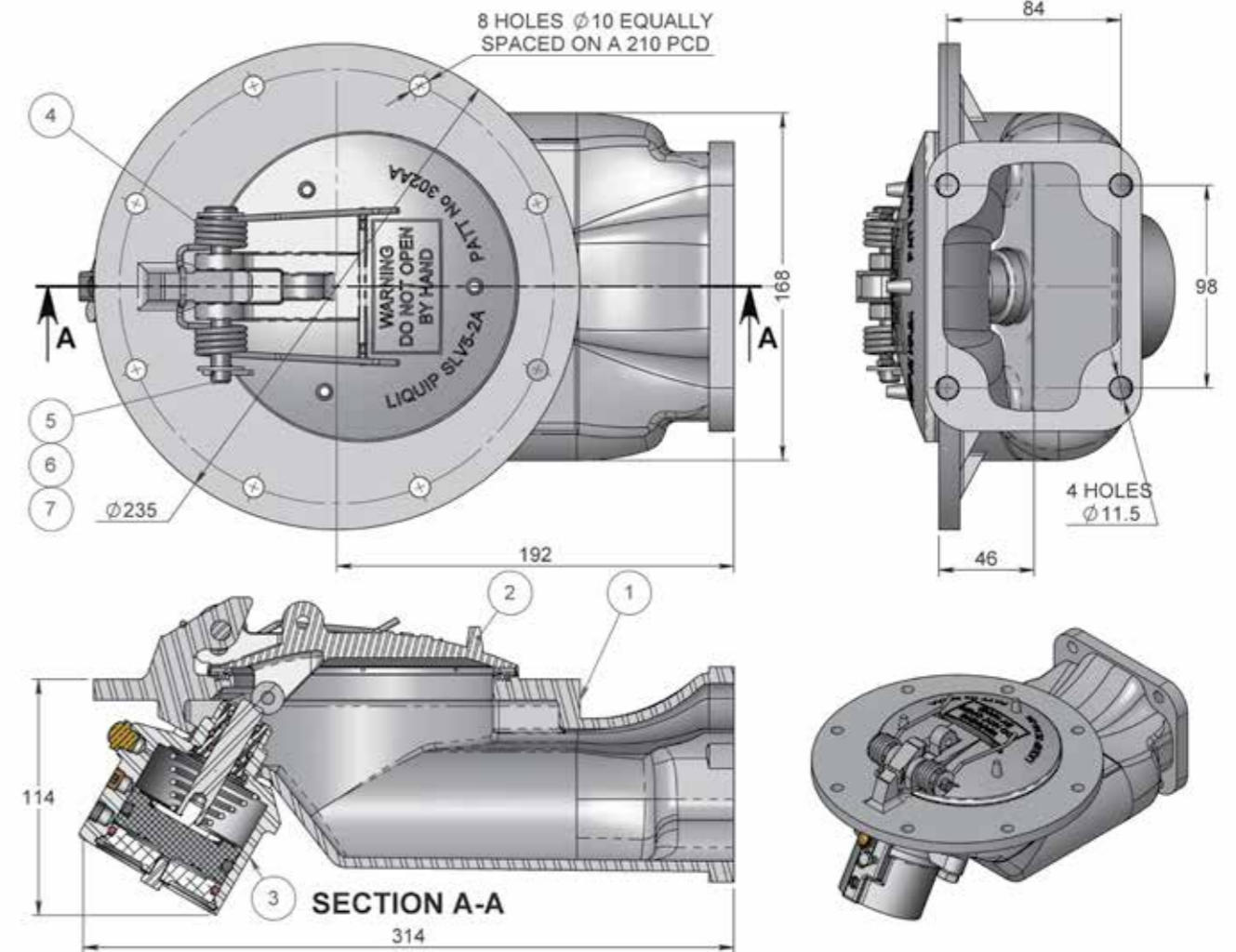
Periodic Service

No routine maintenance required. Check sealing of valve as required by authorities.

Dismantle

Being a self-contained and externally mounted assembly, the air operated assembly is easily removable & replaceable.

SLV5-AROC EMERGENCY VALVE



ITEM	PART No	DESCRIPTION	SLV5-ARO	SLV5-AROC	MATERIAL
7	0764	SPLIT PIN	1	1	ST STEEL
6	0102	WASHER FLAT	2	2	Z/P STEEL
5	SLV5-8	PIN PIVOT OPERATING	1	1	ST STEEL
4	6154	SPRING DOUBLE TORSION	-	1	ST STEEL
	0323	SPRING DOUBLE TORSION	1	-	Z/P STEEL
3	ARO100C	PISTON AIR OPERATING CHEMICAL	-	1	ALUMINIUM
	ARO100Y	PISTON AIR OPERATING STANDARD	1	-	ALUMINIUM
2	SLV5-2ASK	LID & ROLLER ASSY - CHEMICAL	-	1	ALUM / FFKM
	SLV5-2AS	LID & ROLLER ASSY - STANDARD	1	-	ALUM / FFKM
1	SLV5-1	ELBOW BODY	1	1	ALUMINIUM