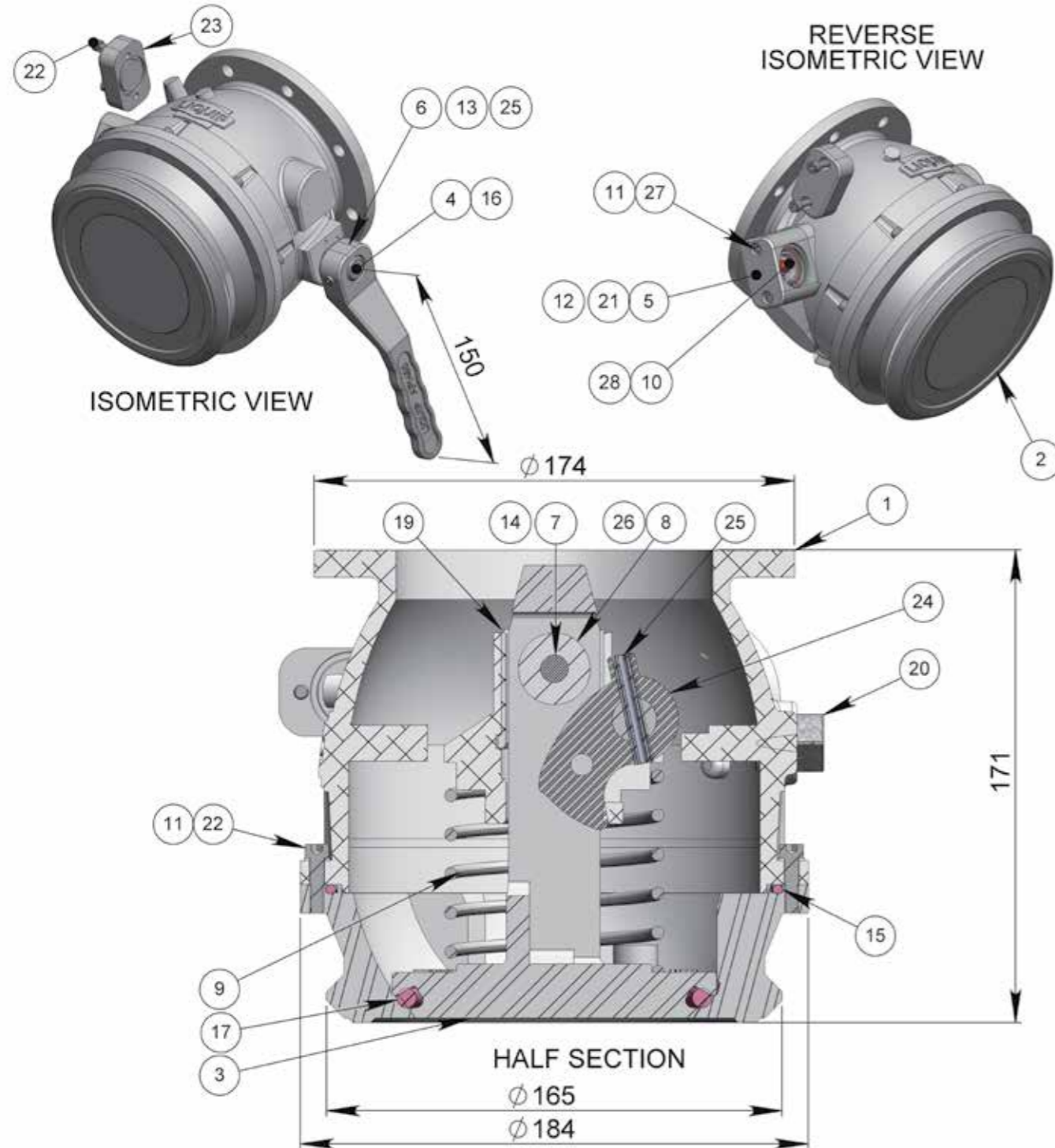
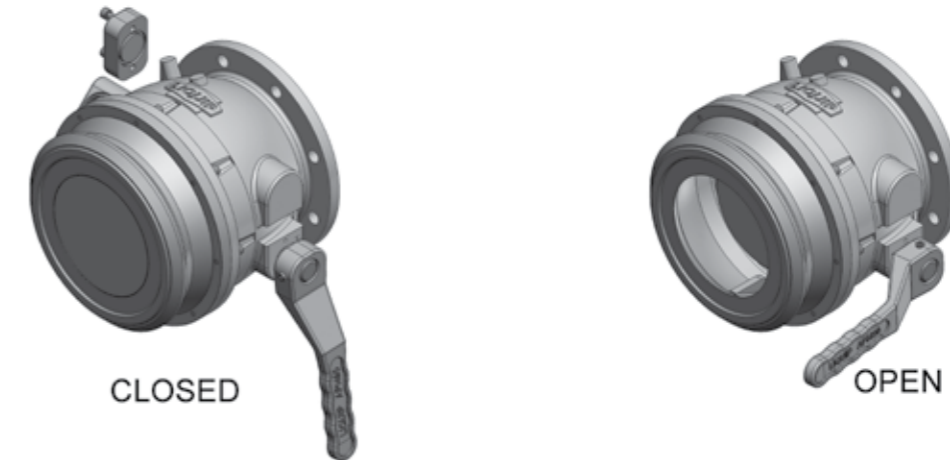


API49x SERIES

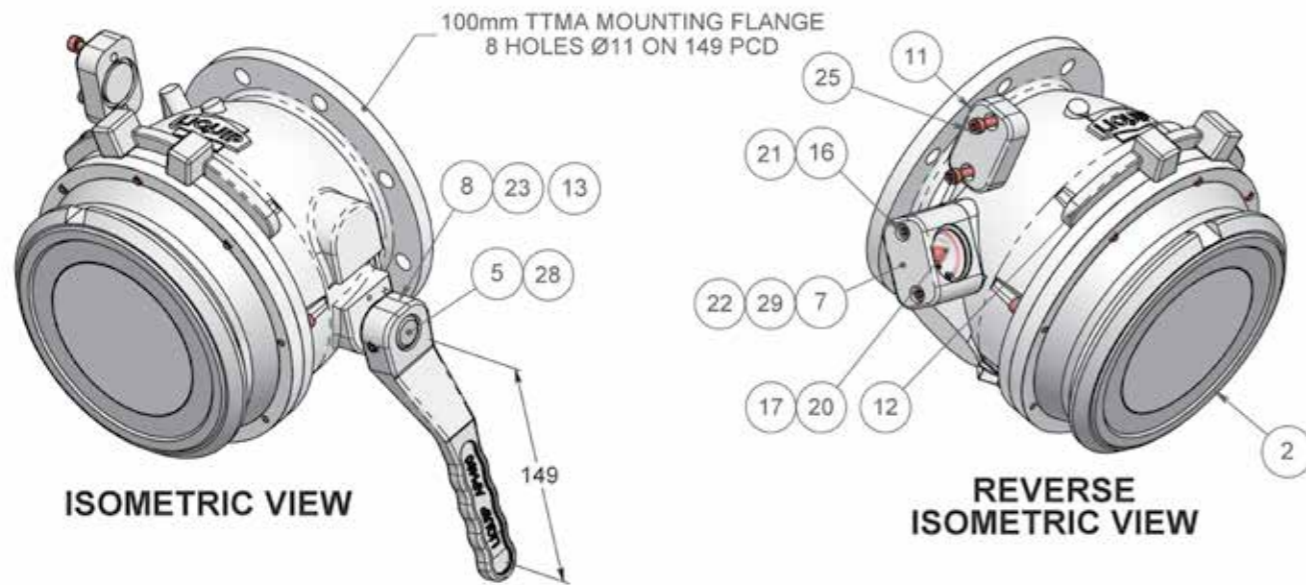


API49x SERIES

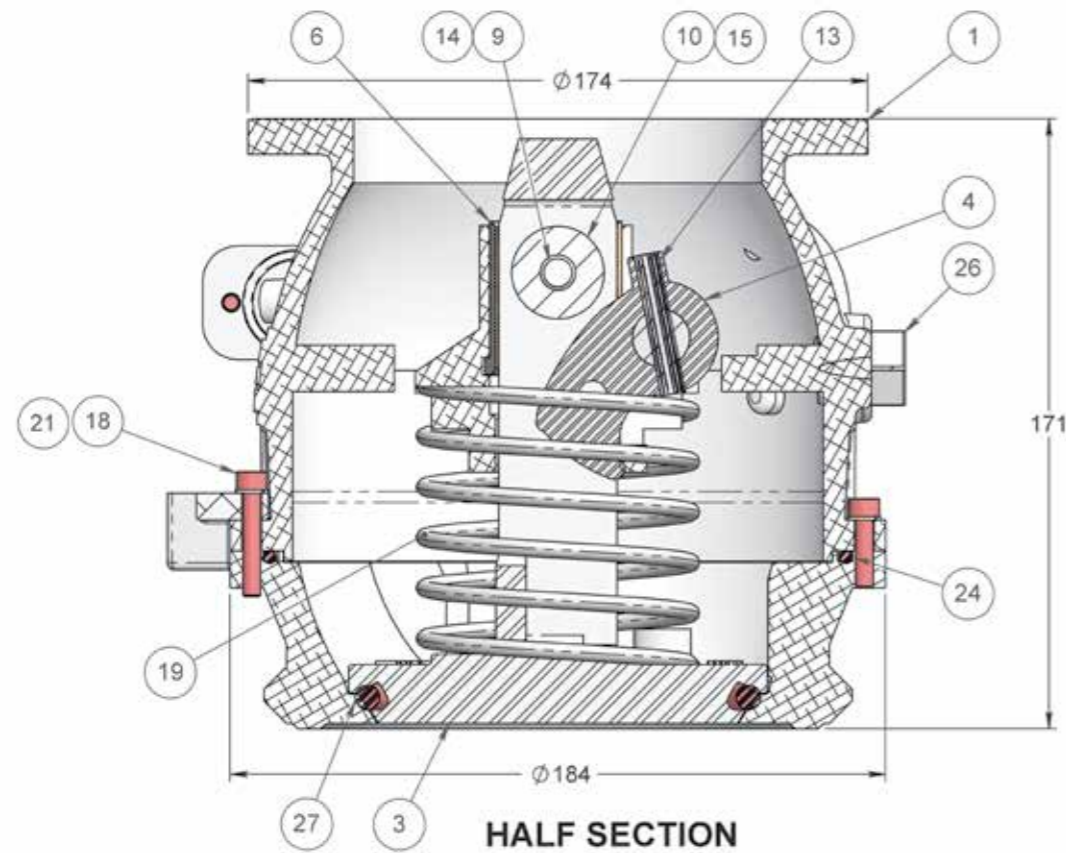
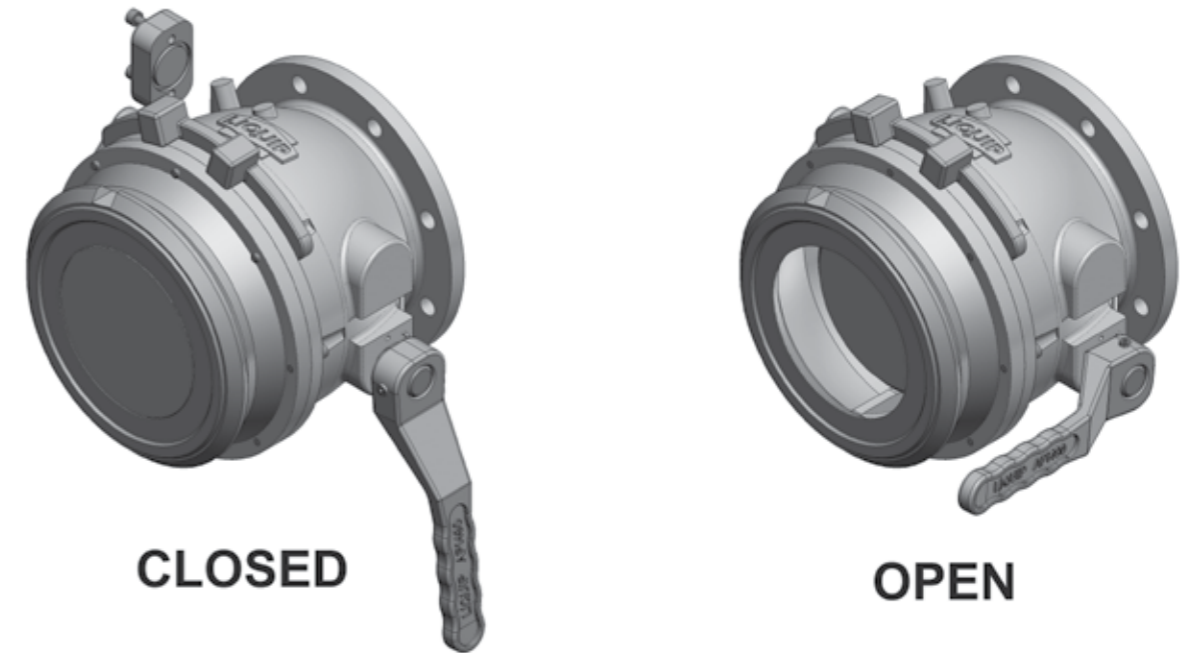


ITEM NO.	PART NUMBER	DESCRIPTION	API490	API491	API496	API497	MATERIAL
1	API490-1	VALVE BODY, API DRY BREAK	1	-	-	-	ALUMINIUM
1	API491-1	VALVE BODY, API DRY BREAK	-	1	-	-	ALUMINIUM
1	API496-1	VALVE BODY, API DRY BREAK	-	-	1	-	ALUMINIUM
1	API497-1	VALVE BODY, API DRY BREAK	-	-	-	1	ALUMINIUM
2	API490-2	NOSE CONE	1	1	1	1	ALUMINIUM
3	API490-3	POPPET VALVE DRY BREAK	1	1	1	1	ALUMINIUM
4	API490-5	SHAFT OPERATING	1	1	1	1	ST STEEL
5	API490-16	BODY SIGHT GLASS	1	-	1	-	ALUMINIUM
6	API490-17	HANDLE, ACTUATING	1	1	1	1	ALUMINIUM
7	API490-18	PIN FOR ROLLER	1	1	1	1	ST STEEL
8	API490-19	ROLLER	1	1	1	1	ST STEEL
9	6168	SPRING	1	1	1	1	ST STEEL
10	5725	BALL INDICATOR	1	-	1	-	POLYPROPYLENE
11	6498	WASHER SPRING	10	8	10	8	Z/P STEEL
12	7874	SIGHTGLASS	2	-	2	-	BOROSILICATE
13	6173	RETURN SPRING	1	1	1	1	ST STEEL
14	PURCHASED	CIRCLIP EXTERNAL	2	2	2	2	ST STEEL
15	0155	O-RING	1	1	1	1	FLUOROELASTOMER (FKM)
16	0235	O-RING (BS206)	2	2	2	2	VITON (FKM)
17	0289	O-RING - LIQUIP SPECIAL SIZE	1	1	1	1	VITON (FKM)
18	3395	GREASE SOLVENT RESIST ENERGREASE	1	1	1	1	GREASE
19	API490-6A	BUSH FOR API490 POPPET VALVE	1	1	1	1	DELTRIN 500AL NC010
20	0614	PLUG BSP HEX -(1/2")	-	-	1	1	STEEL
21	4647	O-RING (BS119)	3	-	3	-	VITON A
22	6502	CAPSCREW METRIC	8	8	10	8	Z/P STEEL
23	API490-21	BLANK PLATE	-	-	1	-	ALUMINIUM
24	API490-4	CAM, OPENING	1	1	1	1	ST STEEL
25	4060	SPIROL PIN	2	2	2	2	ST STEEL
26	PURCHASED	WASHER FLAT	2	2	2	2	ST STEEL
27	PURCHASED	CAPSCREW METRIC	2	-	2	-	Z/P STEEL
28	55074	CIRCLIP INTERNAL	2	-	2	-	ST STEEL

API496J & G ADAPTORS



API496J & G ADAPTORS



ITEM NO.	PART NUMBER	DESCRIPTION	API496J/ QTY.	API496G/ QTY.	MATERIAL
1	API496-1	VALVE BODY, API DRY BREAK	1	1	ALUMINIUM
2	API490-2J	NOSE CONE - API490 SERIES (FOR JET & AVGAS)	1	1	USE STANDARD NOSECONE API490-2
3	API490-3	POPPET VALVE DRY BREAK	1	1	ALUMINIUM
4	API490-4	CAM, OPENING	1	1	ST STEEL
5	API490-5	SHAFT OPERATING	1	1	ST STEEL
6	API490-6A	BUSH FOR API490 POPPET VALVE	1	1	DELTRIN 500AL NC010
7	API490-16	BODY SIGHT GLASS	1	1	ALUMINIUM
8	API490-17	HANDLE, ACTUATING	1	1	ALUMINIUM
9	API490-18	PIN FOR ROLLER	1	1	ST STEEL
10	API490-19	ROLLER	1	1	ST STEEL
11	API490-21	BLANK PLATE	-	1	ALUMINIUM
12	API490-22J	BRACKET FOR API490	1	-	ALUMINIUM
	API490-22G	BRACKET FOR API490	-	1	ALUMINIUM
13	4060	SPIROL PIN	2	2	ST STEEL
14	PURCHASED	CIRCLIP EXTERNAL	2	2	ST STEEL
15	PURCHASED	WASHER FLAT	2	2	ST STEEL
16	PURCHASED	CAPSCREW METRIC	2	2	Z/P STEEL
17	55074	CIRCLIP INTERNAL	2	2	ST STEEL
18	55010	CAPSCREW METRIC	3	3	ST STEEL
19	6168	SPRING	1	1	ST STEEL
20	5725	BALL INDICATOR	1	1	POLYPROPYLENE
21	6498	WASHER SPRING	10	10	Z/P STEEL
22	7874	SIGHTGLASS	2	2	BOROSILICATE
23	6173	RETURN SPRING	1	1	ST STEEL
24	0155	O-RING	1	1	FLUROELASTOMER (FKM)
25	6502	CAPSCREW METRIC	5	7	Z/P STEEL
26	0636	PLUG BSP HEX	1	1	ST STEEL
27	0289	O-RING - LIQUIP SPECIAL SIZE	1	1	VITON (FKM)
28	0235	O-RING (BS206)	2	2	VITON (FKM)
29	4647	O-RING (BS119)	3	3	VITON A
30	3395	GREASE SOLVENT RESIST ENERGREASE	1	1	GREASE



Chemical Trim API Load/Unload Valve - API496C

The API496C is a Chemical Trim (FFKM) API Adaptor that conforms to API RP1004. It has been designed to be compatible with various chemicals, engineered to offer quality bottom loading through excellent performance and maximum safety and is supplied with a drain plug (1/2" BSPT), sightglass and sightglass blanking plate.

FFKM (a perfluoroelastomer commonly known as Ekraz or Kalrez) is one of the most chemically resistant materials available and is suitable for some of the harshest chemical compounds. FFKM is commonly used with aggressive, corrosive and reactive chemicals.

Features & Benefits

- Complies to API RP1004 - compatible with all API couplers.
- Ease of maintenance for reduced downtime.
- Set of mounts to match industry standard air interlock valves such as the Liquip AIV3.
- The bulk of internal components are stainless steel for increased strength and product service life.
- Ergonomically designed handle.
- Lightweight design - 4.8kg
- Borosilicate sightglass to visually check for retained product (Blank plate also provided).
- Flange is gramophone finish for improved sealing.
- 100mm bore all through for minimum pressure drop.
- Electrical continuity guaranteed by use of non-anodised nose cone.

Technical Information

Pressure Rating

Pressure rated to API RP1004 standard (517 kPa).
100mm bore all through for minimum pressure drop.

Operating temperature range

10°C to +60°C.

Weight

4.8kg.

Chemical Compatibility

FFKM Seals.

Materials

- Aluminium body, nosecone and poppet.
- Stainless steel shaft, cam & roller.
- Perfluoroelastomer (FFKM) main product seals.
- Teflon™ poppet bush.

Poppet Travel

52mm.

Operation

The spring loaded poppet can be opened by the handle for discharge, or by an API coupler for bottom loading or unloading. For safety, the handle does not move when a coupler actuates the poppet. The handle is a "pull up-to-open" design, which when used rotates an internal cam to open the poppet. The cam uses the over-centre principle to hold poppet in its open position while unloading. Dual O-ring seals on shaft prevent leaks.

Continuity

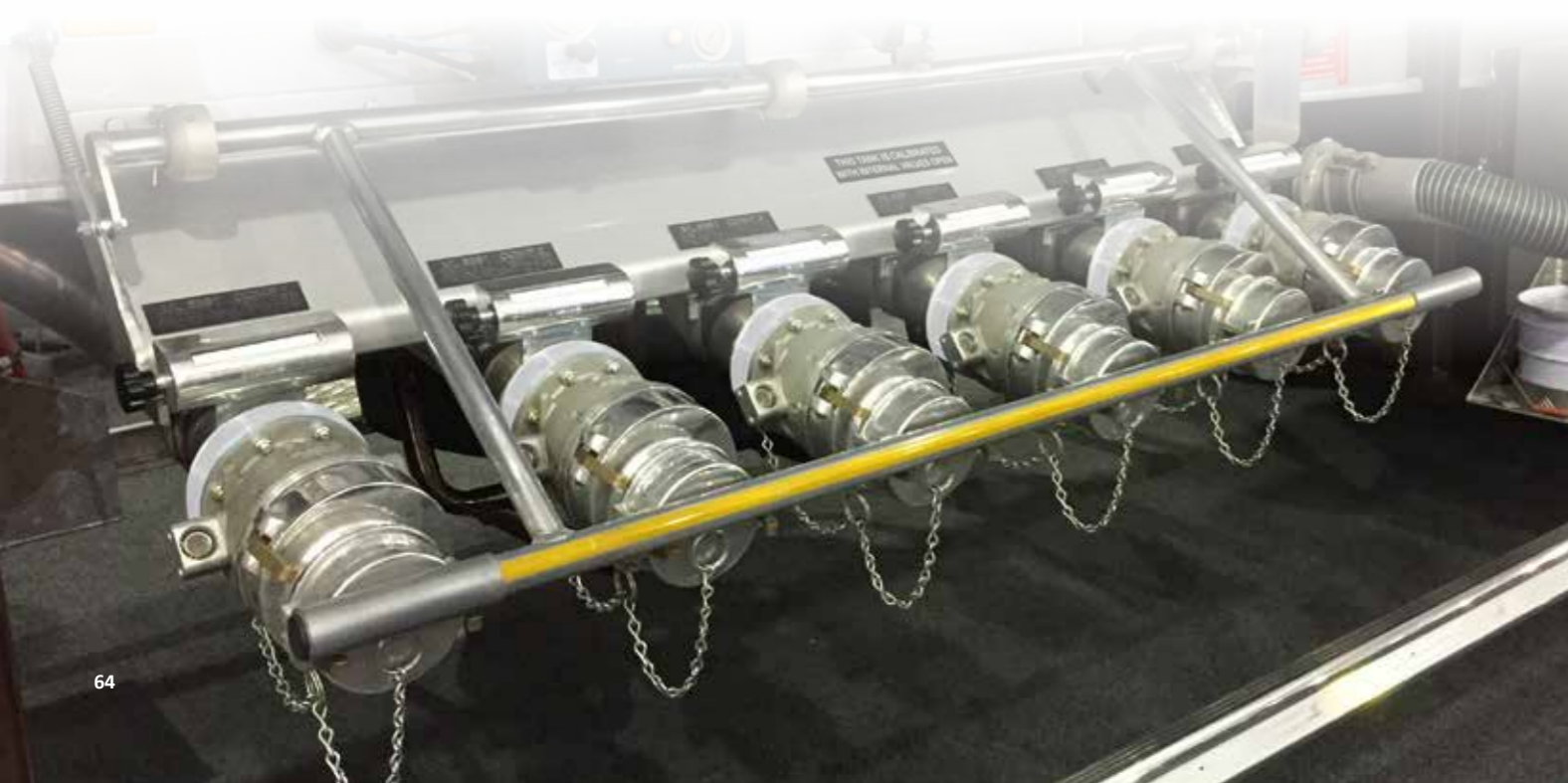
Electrical continuity guaranteed by use of non-anodised nose cone.

Mounting

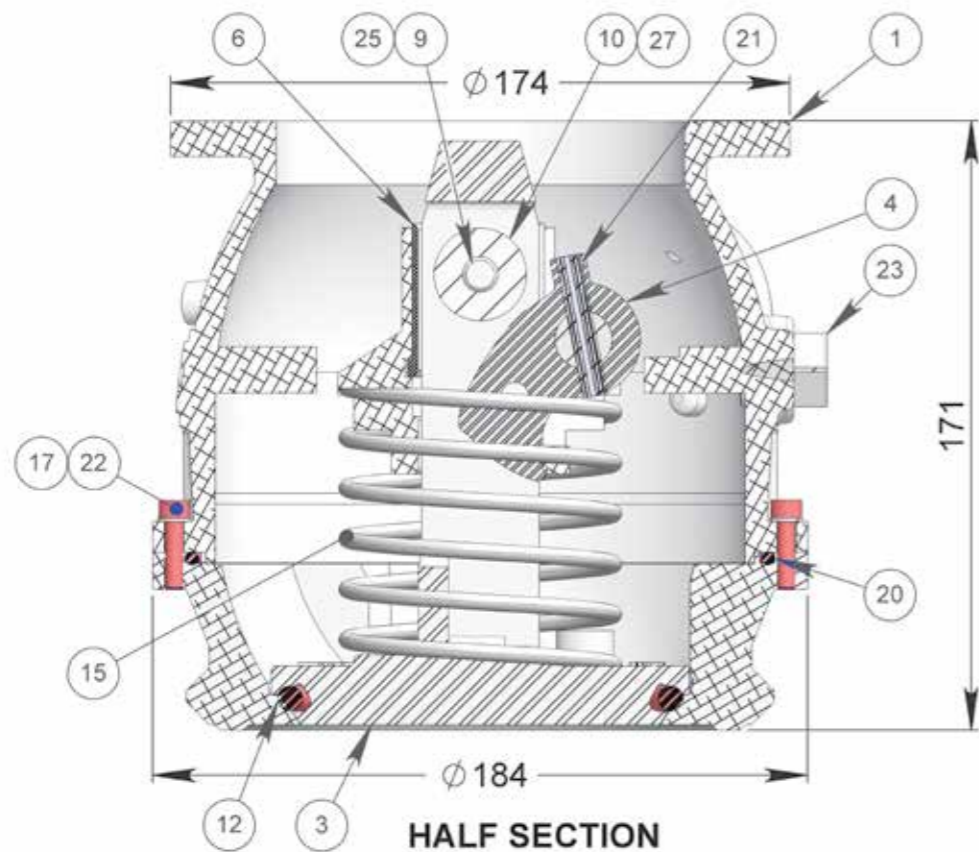
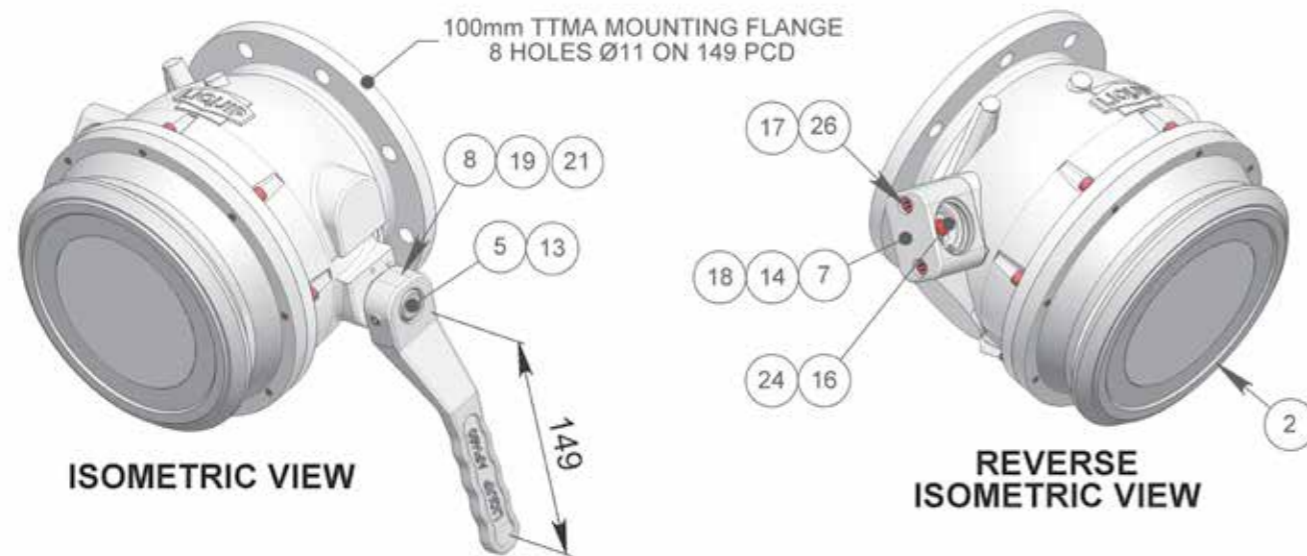
Flange is 100mm TTMA standard. Mount so that when viewed from the front, the handle is on the right hand side and pointing down.

Ordering Information

- **API496C:** Aluminium/Stainless Steel components & FFKM seals complete with sightglass, handle moves down.
- **API496CTZ:** API496C c/w 4" TTMA PTFE Gasket.
- **4292:** 4" TTMA PTFE Gasket.

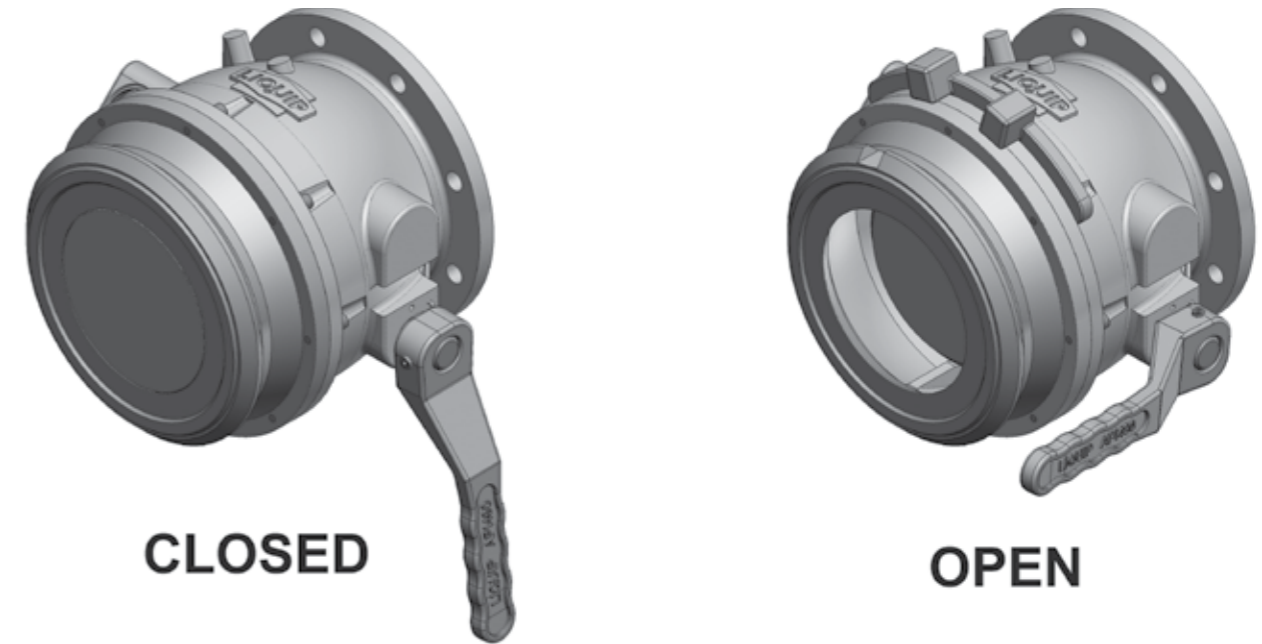


API496C ADAPTOR



HALF SECTION

API496C ADAPTOR



CLOSED

OPEN

ITEM NO.	PART NUMBER	DESCRIPTION	QTY	MATERIAL
1	API496-1	VALVE BODY, API DRY BREAK	1	ALUMINIUM
2	API490-2	NOSE CONE	1	ALUMINIUM
3	API490-3	POPPET VALVE DRY BREAK	1	ALUMINIUM
4	API490-4	CAM, OPENING	1	ST STEEL
5	API490-5	SHAFT OPERATING	1	ST STEEL
6	API490-6C	BUSH	1	PTFE
7	API490-16	BODY SIGHT GLASS	1	ALUMINIUM
8	API490-17	HANDLE, ACTUATING	1	ALUMINIUM
9	API490-18	PIN FOR ROLLER	1	ST STEEL
10	API490-19	ROLLER	1	ST STEEL
11	API490-21	BLANK PLATE	1	ALUMINIUM
12	0289K	O-RING SPECIAL	1	PERFLUOROELASTOMER (FFKM)
13	0235K	O-RING SPECIAL	2	PERFLUOROELASTOMER (FFKM)
14	4647K	O-RING SPECIAL	3	PERFLUOROELASTOMER (FFKM)
15	6168	SPRING	1	ST STEEL
16	5725	BALL INDICATOR	1	POLYPROPYLENE
17	6498	WASHER SPRING	10	Z/P STEEL
18	7874	SIGHTGLASS	2	BOROSILICATE
19	6173	RETURN SPRING	1	ST STEEL
20	0155	O-RING	1	FLUOROELASTOMER (FKM)
21	4060	SPIROL PIN	2	ST STEEL
22	6502	CAPSCREW METRIC	10	Z/P STEEL
23	0636	PLUG BSP HEX	1	ST STEEL
24	55074	CIRCLIP INTERNAL	2	ST STEEL
25	PURCHASED	CIRCLIP EXTERNAL	2	ST STEEL
26	PURCHASE	CAPSCREW METRIC	2	Z/P STEEL
27	PURCHASED	WASHER FLAT	2	ST STEEL